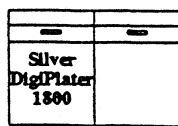
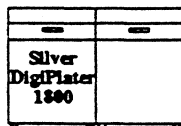
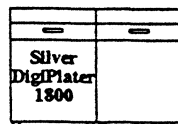
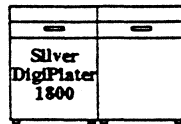


Mitsubishi

Silver DigiPlater

1800

PARTS MANUAL



mitsubishi silver digiplater 1800

ASSEMBLY

806640-001 ASSY-PLATEMAKER SDP 1800

901124-100 IMAGER CONTAINER SHIPPING
901124-200 PROCESSOR-CONTAINER SHIPPING

806643-001 ASSY-SDP CHASSIS

803544-004 ASSY-SDP ROLLER TRANSPORT

803418-001 ASSY-LOWER PINCH TENSION
803419-001 ASSY-DR/EXIT ROLLER TENSION
804627-001 ASSY-CAPSTAN DRIVE
804628-001 ASSY-MOTOR-STEPPING
803463-001 ASSY-UPPER PINCH TENSION R.H.
803466-001 ASSY-UPPER PINCH TENSION L.H.
803744-001 ASSY-PULLEY OVERRUNNING CLUTCH
806247-001 ASSY-SDP CUTTER
806639-001 ASSY-SWITCH NO MEDIA
806639-002 ASSY-SWITCH FEED LOOP
806639-003 ASSY-SWITCH LOAD OK
806639-004 ASSY-SWITCH EXIT LOOP
806639-005 ASSY-SWITCH EXIT
806655-001 ASSY-EXIT GUIDE
803666-001 ASSY-MOTOR MOUNT
806098-002 ASSY-MOTOR TAKEUP DRIVE
806126-002 ASSY-ENCODER
806223-001 ASSY-SOLENOID
806322-001 ASSY-CAPSTAN GUIDE
806099-002 ASSY-SOLENOID-CAPSTAN GUIDE
806283-001 ASSY-CAPSTAN GUIDE

806545-001 ASSY-SDP MARKER

806385-001 ASSY-CASSETTE SHROUD

806700-001 ASSY-PROCESSOR

900960-167 ASSY-CLUTCH SHAFT
900960-032 ASSY-TEMP PROBE ACT
900960-172 ASSY-DRIVE SHAFT
900960-173 ASSY-DRYER DRIVE
900960-181 ASSY-DRAIN
900960-034 ASSY-STABILIZER TRANSPORT
900960-035 ASSY-ACTIVATOR TRANSPORT
900960-186 ASSY-ACTIVATOR TANK
900960-187 ASSY-STABILIZER TANK
900960-192 ASSY-HEATER COVER
900960-033 ASSY-DRYER HEATER
900960-193 ASSY-HEATER BLOWER

MITSUBISHI SILVER DIGIPLATER 1800

806700-001 ASSY-PROCESSOR

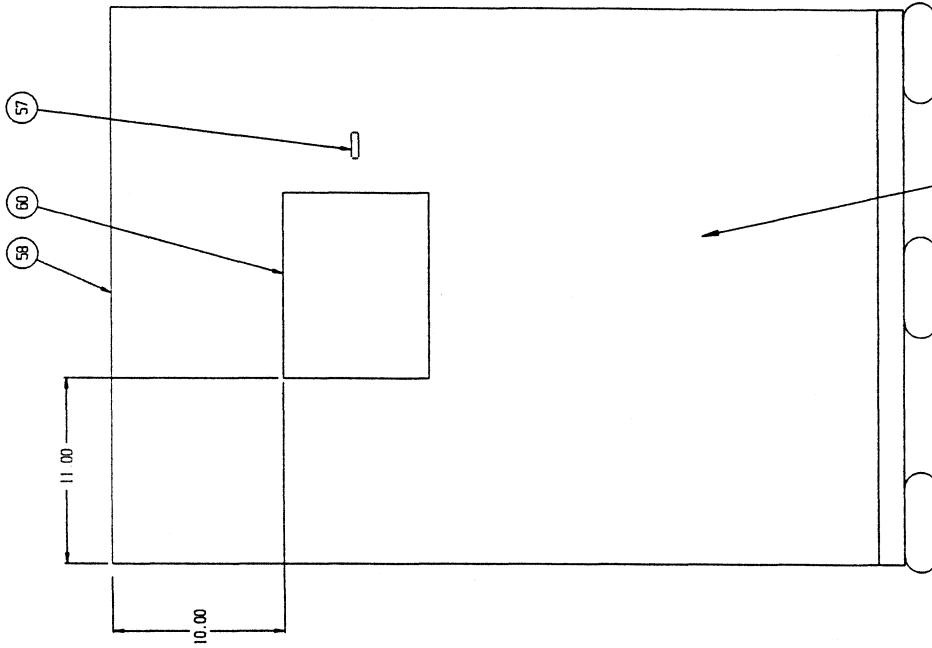
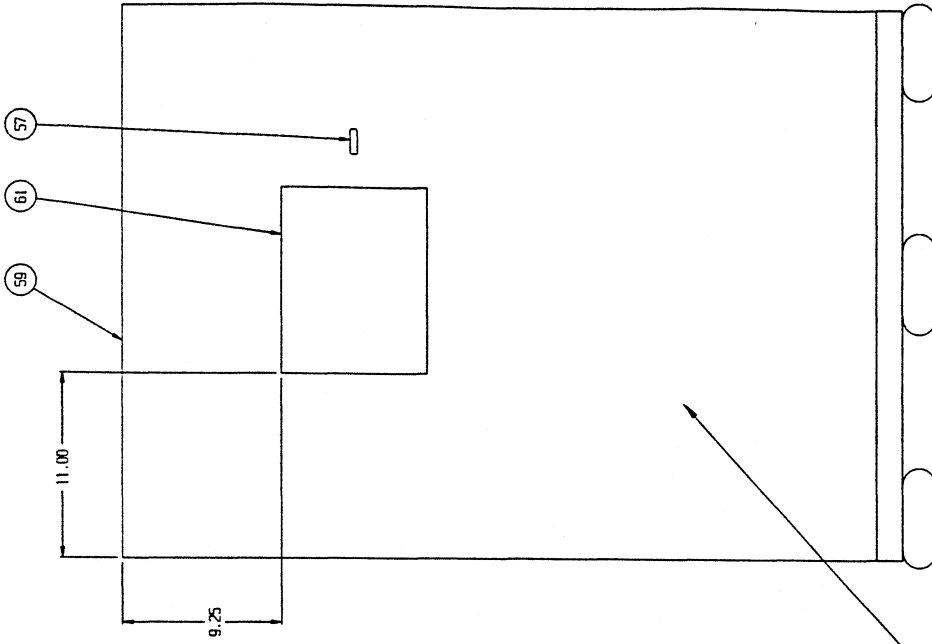
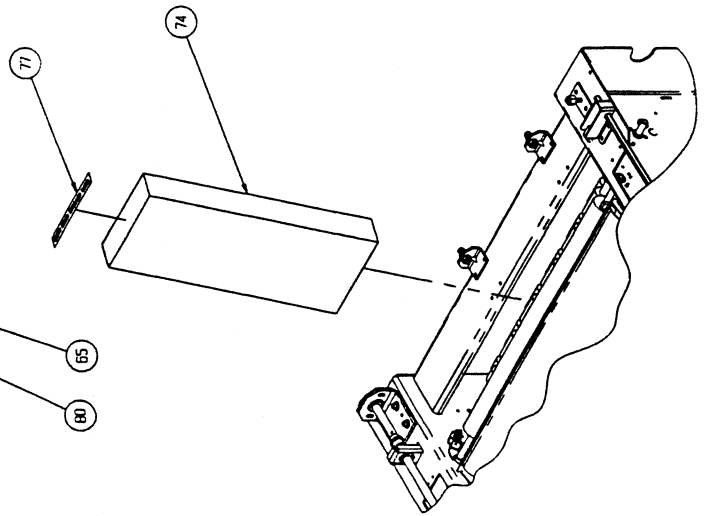
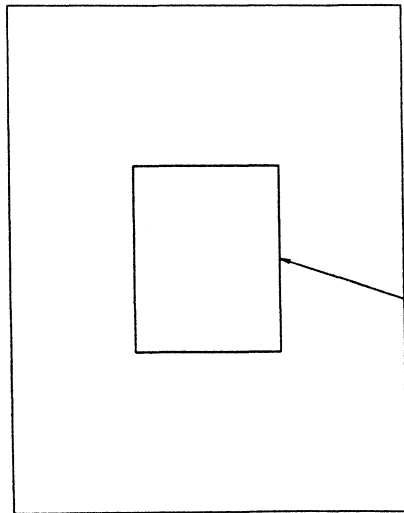
900960-194	ASSY-ELECTRICAL PANEL
900960-154	ASSY-STRIP TS1
900960-155	ASSY-STRIP TS2
900960-195	ASSY-DRIVER MOTOR
900960-224	ASSY-DRYER TRANSPORT
900960-006	ASSY-FLANGED BEARING
900960-006	ASSY-FLANGED BEARING
806806-001	ASSY-CROSSOVER GUIDE
900960-141	ASSY-ENTRANCE GUIDE
900960-228	ASSY-ACT. TUBE-SHORT
900960-229	ASSY-STAB. TUBE-SHORT
900960-230	ASSY-ACT. TUBE-LONG
900960-231	ASSY-STAB. TUBE-LONG
900960-233	ASSY-TUBE OVERFLOW
900960-234	ASSY-TUBE OVERFLOW
900960-149	ASSY-PROBE

806817-001 ASSY-TANK EFFLUENT W/CART

OPERATOR PANEL WIRING
MARKER WIRING
POWER SUPPLY DRAWER WIRING
ENGINE STEPPER WIRING
GALVO HEATER WIRING
INTERFACE PCA WIRING

SDP 1800 SHIPPING CONTAINERS

Mitsubishi Silver DigiPlater 1800 Parts List



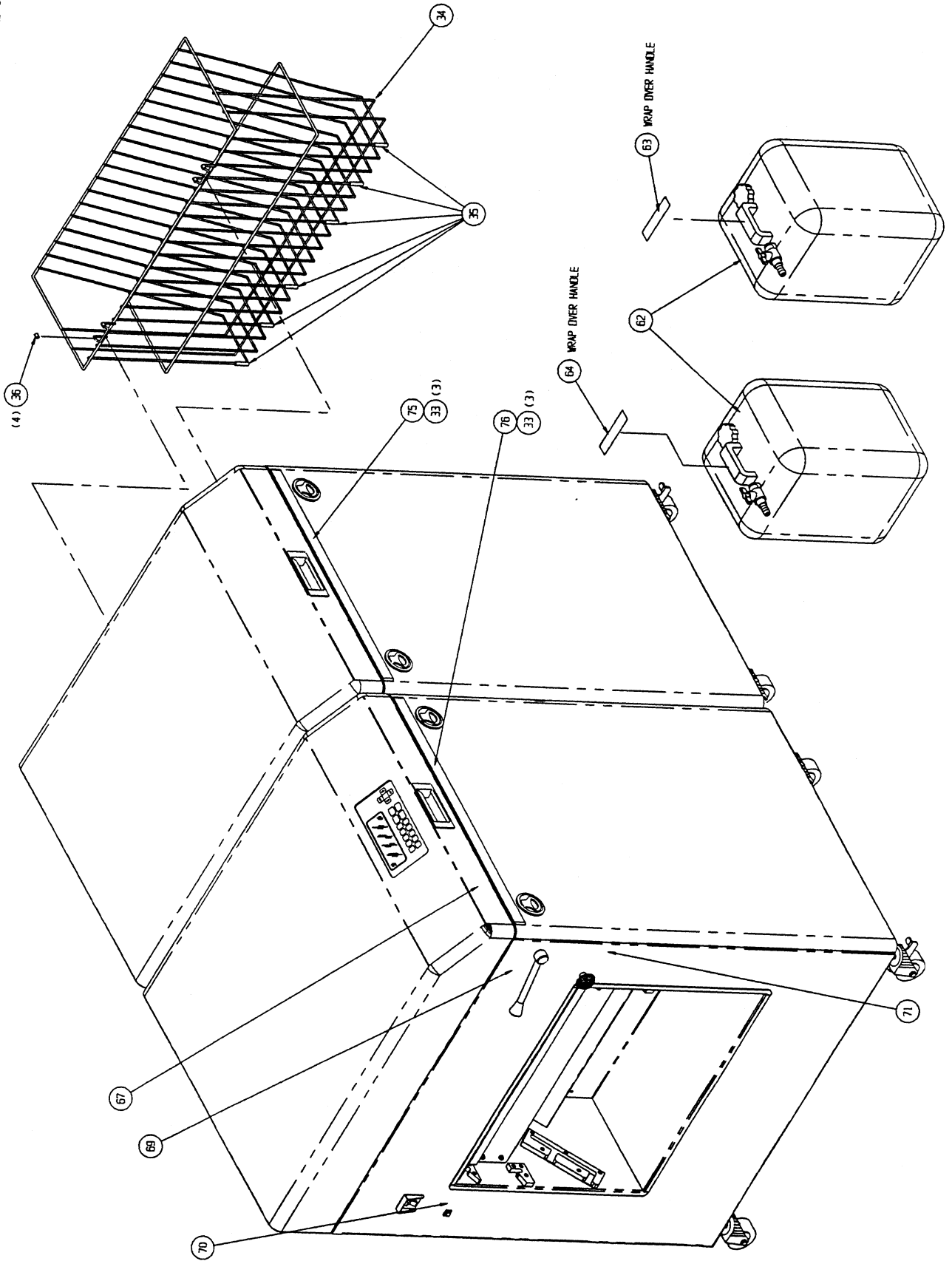
FRONT OF MACHINE

SDP SHIPPING CONTAINERS

SEQN	COMPONENT	DESCRIPTION	QTY
057	901064-001	LABEL-CE	2
058	901124-100	CONTAINER-SHIPPING SDP IMAGER	1
059	901124-200	CONTAINER-SHIPPING SDP PROC.	1
060	806403-002	LABEL-IMAGING MODULE	1
061	806403-003	LABEL-PROCESSING MODULE	1
065	806403-004	LABEL-ACCESSORY	1
074	806645-001	BLOCK-FOAM	1
077	806648-001	LABEL-SHIPPING BLOCK	1
080	901143-001	CONTAINER-ACCESSORY	1

ASSY-SDP 1800

Mitsubishi Silver DigiPlater 1800 Parts List

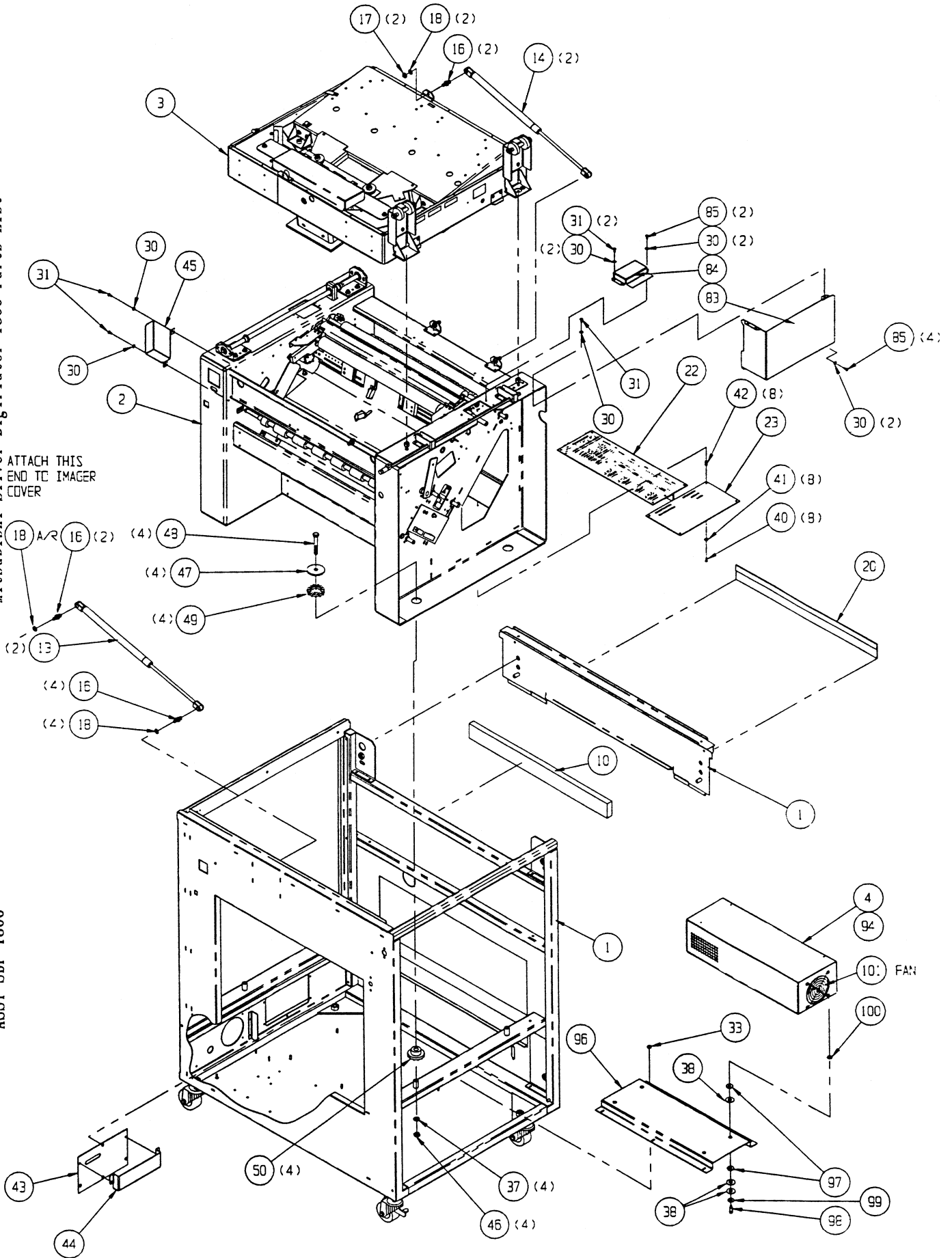


ASSY-SDP 1800 SHEET.1

SEQN	COMPONENT	DESCRIPTION	QTY
033	900233-003	NUT-LOCK K #8-32	6
034	806383-001	BASKET-SDP 1800	1
035	804569-001	TUBING-SLIT 1.25	6
036	804569-002	TUBING-SLIT .35	4
062	901041-002	TANK-PLASTIC 5 GAL.	2
063	900090-005	TAPE-VINYL RED 3/4" WIDE	0
064	900090-004	TAPE-VINYL BLUE 3/4" WIDE	0
067	806407-001	LABEL-SDP 1800	1
069	806409-001	LABEL-OPERATION SYSTEM	1
070	806409-002	LABEL-OPERATION SYSTEM	1
071	806409-004	LABEL-OPERATION SYSTEM	1
075	806621-001	STRIP-TRIM "96" 22.50	1
076	806621-002	STRIP-TRIM "96" 24.25	1

Mitsubishi Silver DigiPlater 1800 Parts List

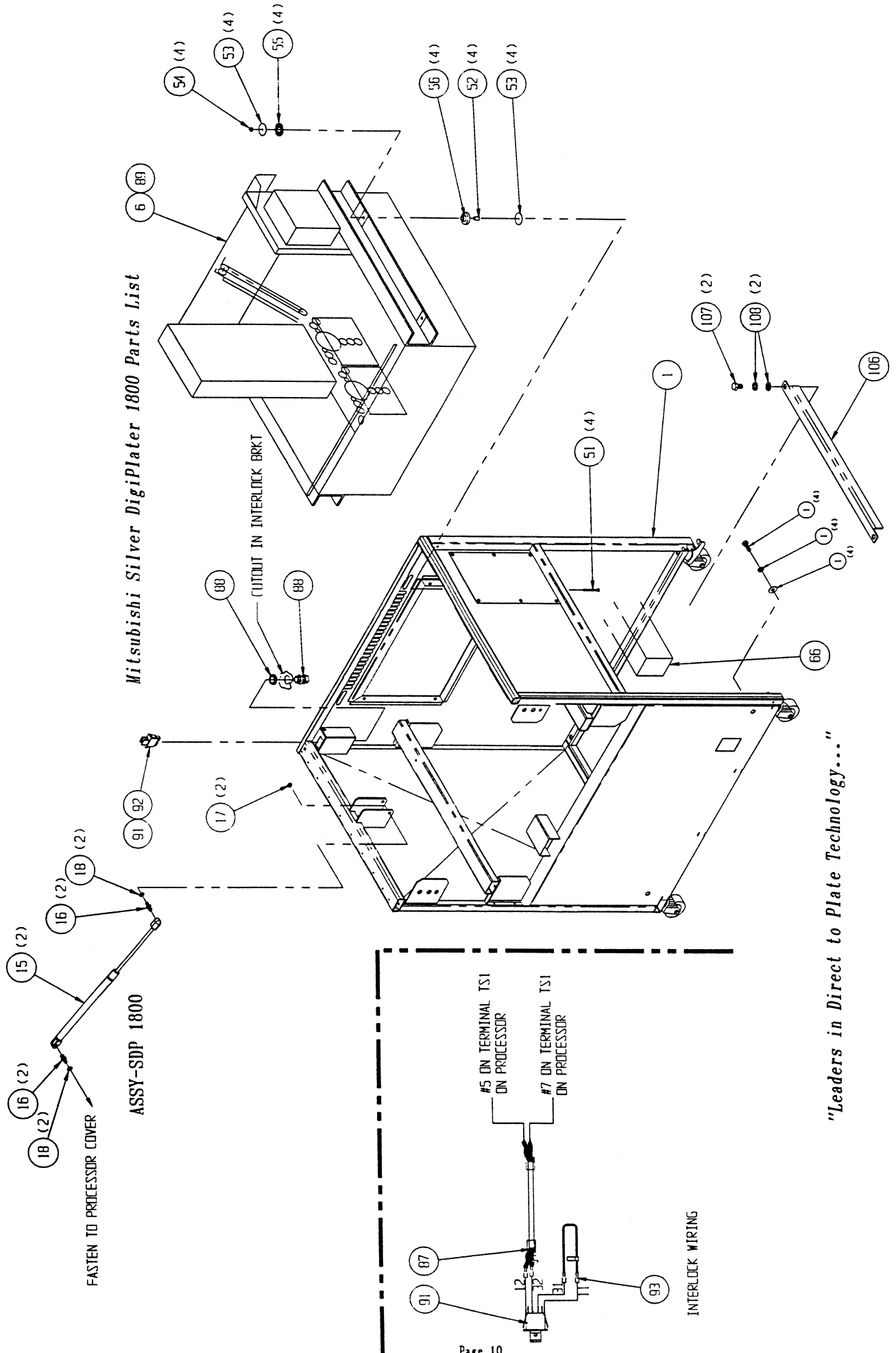
ASSY-SDP 1800



ASSY-SDP 1800 SHEET.2

SEQN	COMPONENT	DESCRIPTION	QTY
001	806643-001	ASSY-SDP CHASSIS	REF
002	803544-004	ASSY-SDP ROL XPORT	1
003	806545-001	ASSY-SDP MARKER	1
004	803287-006	ASSY-POWER SUPPLY 110/220V	1
010	806386-001	FOAM-LIGHTSEAL SDP CASSETTE	1
013	900270-009	GAS-CYLINDER 30 LBS.	2
014	900270-008	GAS-CYLINDER 75 LBS.	2
016	900257	STUD- 10MM BALL- 5/16-18 THREAD	4
017	900222-003	NUT-HEX UNC 5/16-18	2
018	900223-007	WASHER-LOCK HELICAL SPRING 5/16 REG	4
020	806387-001	ASSY-SEAL INPUT PROCESSOR	1
022	523050-004T	PCA-STEPPER SHEAR CUTTER 3240	1
023	523060-001T	PCA-INTERFACE 3240	1
030	900047-000	WASHER-EXTERNAL LOCK #8	9
031	900287-003	SCREW-PAN PPH 8-32 X .38	5
033	900233-003	NUT-LOCK K #8-32	6
037	900223-006	WASHER-LOCK HELICAL SPRING 3/8 REG.	4
038	900160-007	WASHER-FLAT STEEL 3/8	12
040	900287-007	SCREW-PAN PPH 6-32 X .75	8
041	900215-006	WASHER, NYLON, #6 X .062 THK	8
042	900341-003	BUSHING-SPACER, NYLON 6-32 X .375	8
043	806269-001	PANEL-FLAT SDP 1800	1
044	806494-001	GUARD-I/O CABLE	1
045	806333-001	COVER-POWER SWITCH	1
046	900222-007	NUT, HEX, UNC 3/8-16	4
047	900651-008	WASHER-FENDER 2.000 X .438 X .156	4
048	900173-001	BOLT-HEX HD UNC THREAD 3/8-16X2-3/4	4
049	900872-004	ISOLATOR-WR4-060	4
050	900872-008	ISOLATOR-WB4-060	4
083	806474-001	GUARD-CAPSTAN DRIVE	1
084	806473-001	GUARD-CAPSTAN PULLEY	1
085	900224-002	SCREW, TAPTITE, PPH, 8-32 X 3/8	4
094	600306-002	CABLE-ACCESSORY MALE IEC	1
096	806519-001	PLATE-ISOLATION POWER SUPPLY	1
097	900783-006	ISOLATOR-B-532-1	8
098	900236-001	SCREW-SOCKET HD SHLD 10-32 X .500	4
099	900160-009	WASHER-FLAT STEEL # 1/4 REGULAR	4
100	900160-006	WASHER-FLAT STEEL #10	4
101	806128-001	ASSY-FAN AXIAL COOLING	1

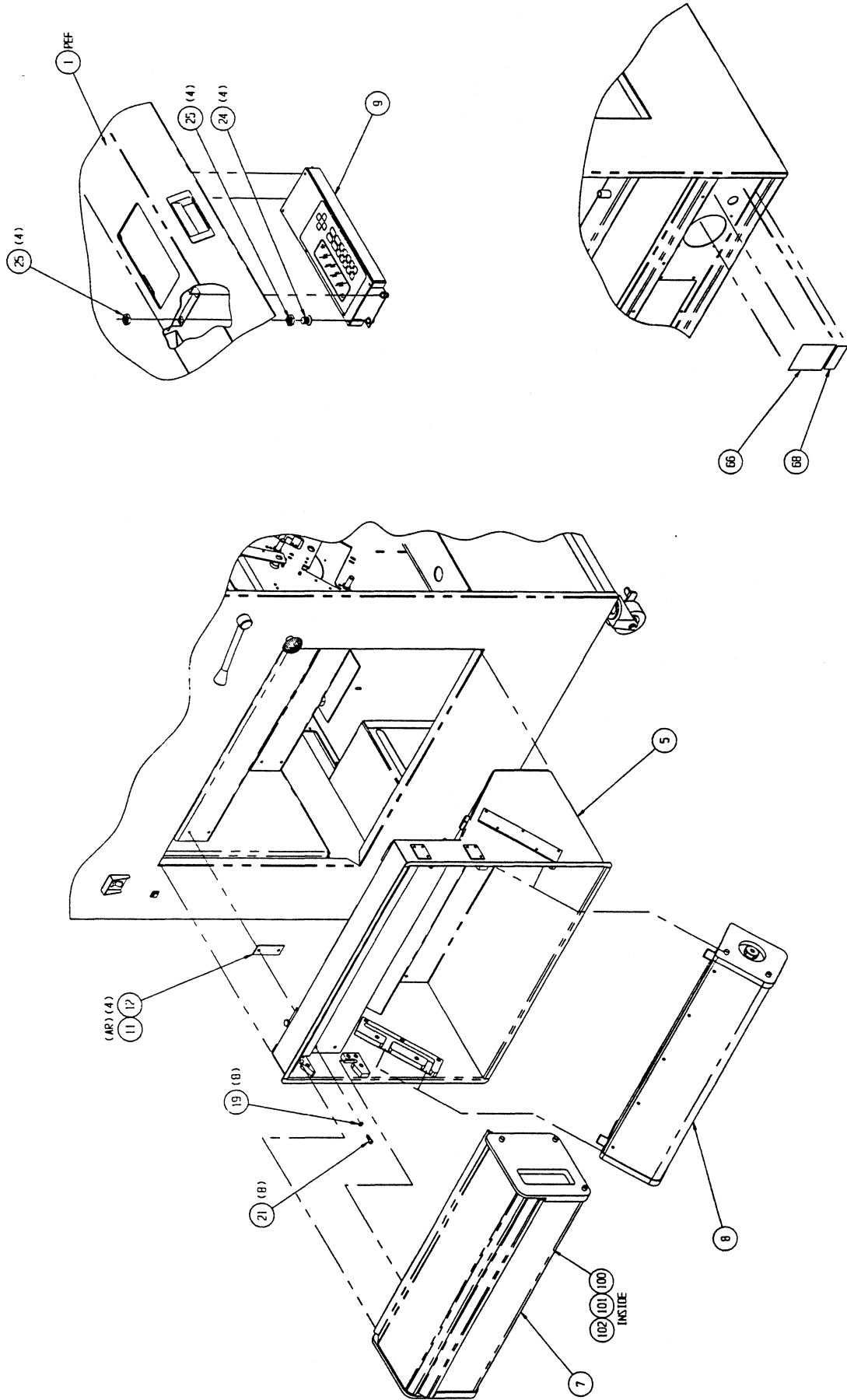
Mitsubishi Silver DigiPlater 1800 Parts List



"Leaders in Direct to Plate Technology..."

ASSY-SDP 1800 SHEET.3

SEQN	COMPONENT	DESCRIPTION	QTY
001	806643-001	ASSY-SDP CHASSIS	REF
006	806700-001	ASSY-PROCESSOR	1
015	900270-007	GAS-CYLINDER 50 LBS.	2
016	900257	STUD- 10MM BALL- 5/16-18 THREAD	5
017	900222-003	NUT-HEX UNC 5/16-18	2
018	900223-007	WASHER-LOCK HELICAL SPRING 5/16 REG	4
051	900288-002	SCREW-PPH 10-32 X 2	4
052	900652-007	SPACER-ROUND #10 X 5/8	4
053	900651-003	WASHER-FENDER 1.375 X .192 X .048	8
054	900233-001	NUT-LOCK K, #10/32	4
055	900726-004	ISOLATOR- WR3-060 RING	4
056	900726-008	ISOLATOR- WB3-060 BUSHING	4
066	806508-001	LABEL-S/N SDP	1
087	806501-001	ASSY-CABLE INTERLOCK PROC	1
088	600188-003	STRAIN RELIEF-CABLE	1
091	600292-001	SWITCH-DOOR	1
092	806609-001	ASSY-CHEAT KEY	1
093	804521-001	ASSY-CABLE-INTERLOCK JUMPER	1
106	806583-001	ANGLE-SHIPPING BRACE	1
107	900173-006	BOLT-HEX HD UNC THRD 1/2 X 3/4	2
108	900223-009	WASHER-LOCK HELICAL SPRING 1/2 REG.	4



ASSY-SDP 1800 SHEET.4

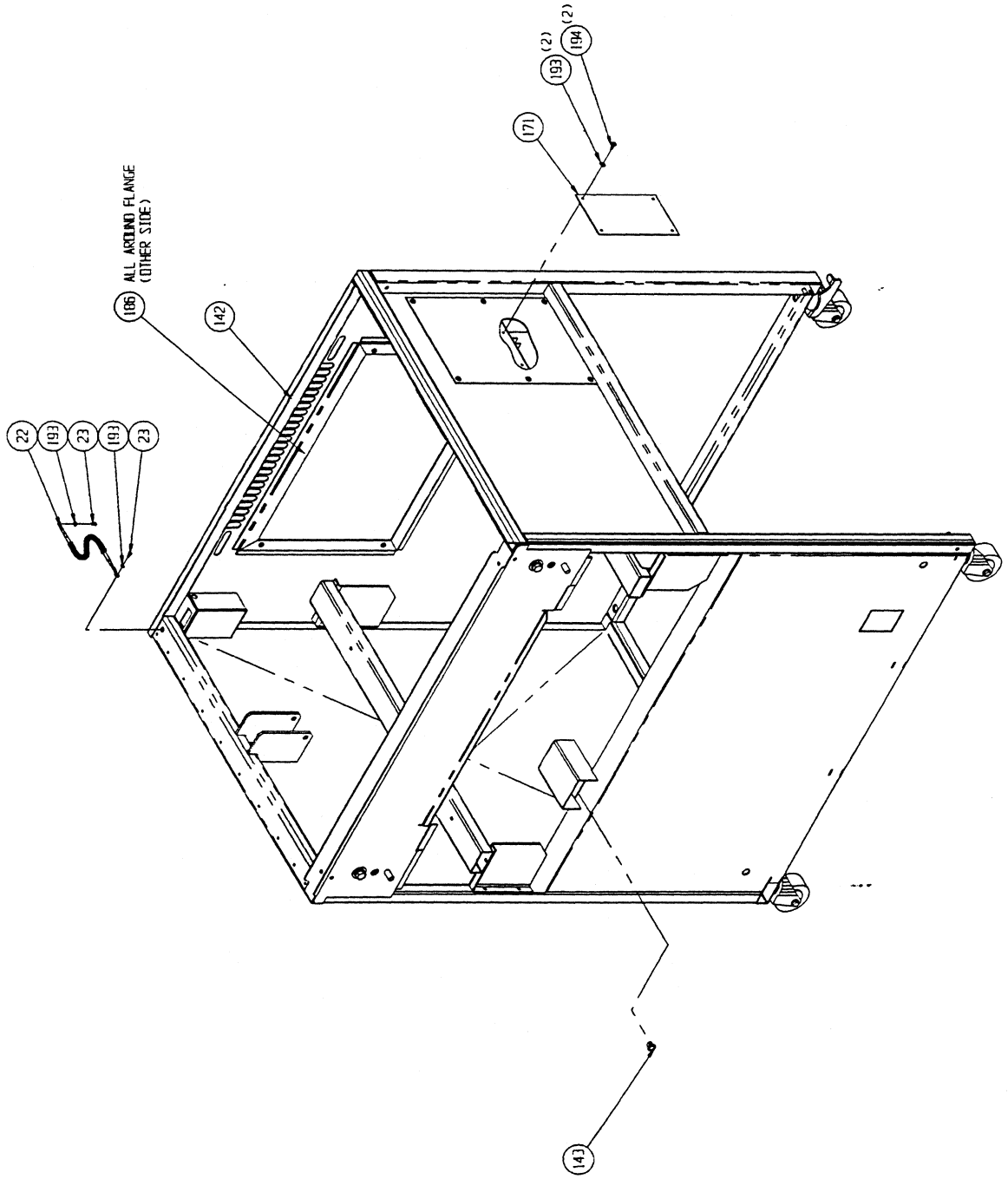
SEQN	COMPONENT	DESCRIPTION	QTY
005	806385-001	ASSY-CASSETTE SHROUD	1
007	806346-001	ASSY-CASSETTE SUPPLY	1
008	806382-001	ASSY-CASSETTE TAKEUP	1
009	806005-001	ASSY-OP PANEL	1
011	900155	TAPE-BONDING 1/2" WIDE, CLEAR	0
012	806642-001	PAD-ISOLATOR SHROUD	4
019	900047-003	WASHER-EXTERNAL LOCK #10	8
021	900340	SCREW-SKT HD CAP UNIF 10-32 X 1/2	8
024	900261-004	RECEPTACLE- 1/4 TURN	4
025	900958-001	NUT-RECEPTACLE RETAINING	8
066	806508-001	LABEL-S/N SDP	1
068	806520-001	LABEL-CLASS LASER	1
100	806625-001	ASSY-SPOOL PLATE ADJ.	1
101	806626-001	ASSY-SPOOL PLATE FIXED	1
102	806342-001	AXEL-SPOOL	1

ASSY-SDP CHASSIS SHEET.1

SEQN	COMPONENT	DESCRIPTION	QTY
021	806475-001	GUARD-CIRCUIT BREAKER	1
032	900813-001	FILTER-RFI K-SERIES 30VK6	1
033	600267-002	CIRCUIT BREAKER-DOUBLE POLE 20A	1
034	600320-001	OUTLET-16/20A-IEC 320	1
035	900237-002	SCREW-SOCKET FLT HD UNC 4-40 X 3/8	2
036	600307-001	OUTLET-ACCESSORY-PUSH IN	2
093	600272-000	TERMINAL BLOCK - GREY 4-CONDUCTOR	2
094	600272-003	TERMINAL BLOCK-GRN-YLW 4-CONDUCTOR	1
095	600272-004	TERMINAL BLOCK-END PLATE	1
096	900233-002	NUT-LOCK K #4/40	2
112	900287-008	SCREW-PAN PPH 6-32 X .38	4
115	901022-001	BEARING-FLANGE-ALIGN	1
116	806275-001	PLATE-LOCATING LATCH	1
117	806400-001	SEAL-ROD LATCH	1
127	900287-003	SCREW-PAN PPH 8-32 X .38	4
139	600188-003	STRAIN RELIEF-CABLE	1
144	901121-001	SYMBOL-GROUND	1
142	806622-001	KIT-CHASSIS "96"	1
150	806614-001	COVER-FILTER/FAN "96"	1
161	900429-001	FAN GUARD ONLY FAN-S P/N 09362-G	1
162	900429-002	FAN RETAINER ONLY FAN-S P/N 09362-R	1
163	804677-001	MEDIA- 3-5/8 FAN FILTER	1
164	900894-001	FAN-AC 3610PS-23T-B30 230V	1
165	900172-017	SCREW-FLAT HD 6-32 X 2	3
166	900336-000	NUT-SELF LOCKING HEX 6-32 UNC 3B	3
167	900160-004	WASHER-FLAT STEEL #6	3
168	900767-001	GROMMETS-VIBRATION ISOLATOR	6
173	900160-005	WASHER-FLAT STEEL #8	2
179	900233-003	NUT-LOCK K #8-32	6
183	600227-001	SWITCH-PUSH BUTTON SPST OFF-(ON)	1
192	900047-002	WASHER-EXTERNAL LOCK #6	4
193	900047-000	WASHER-EXTERNAL LOCK #8	4
198	900287-004	SCREW-PAN PPH 4-40 X .50	2
201	806493-001	BRKT-MTG CONN	1

ASSY-SDP CHASSIS

Mitsubishi Silver DigiPlater 1800 Parts List

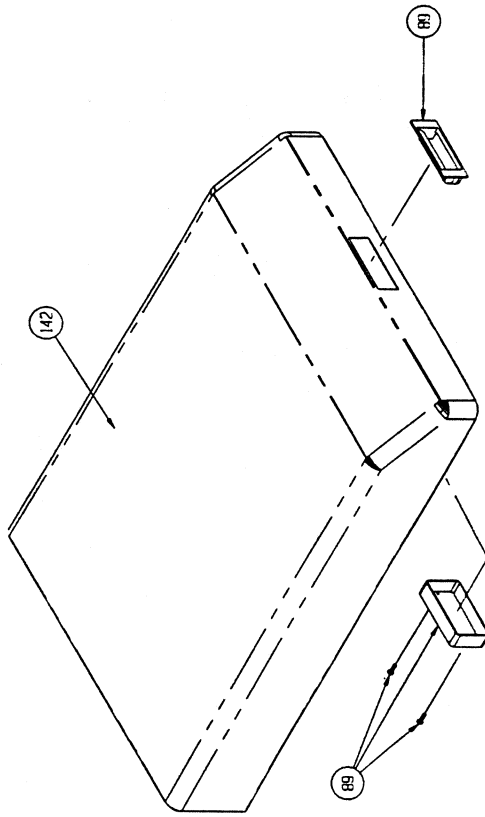
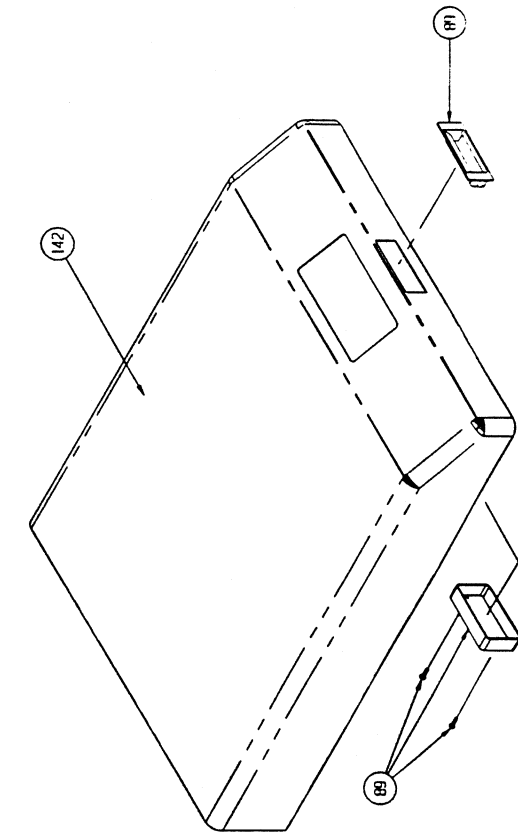


ASSY-SDP CHASSIS SHEET.2

SEQN	COMPONENT	DESCRIPTION	QTY
022	821521-000	GROUND STRAP-14 AWG	2
023	900224-001	SCREW-TAPTITE PPH 6-32 X 3/8	4
142	806622-001	KIT-CHASSIS "96"	REF
143	900289-003	BUSHING-GROMMET	1
171	803795-001	BRKT-PUMP MTG (-232)	1
186	900774-006	SEAL-EMI .039 X .394	A/R
193	900047-000	WASHER-EXTERNAL LOCK #8	6
194	900224-002	SCREW, TAPTITE, PPH, 8-32 X 3/8	2

ASSY-SDP CHASSIS

Mitsubishi Silver DigiPlater 1800 Parts List

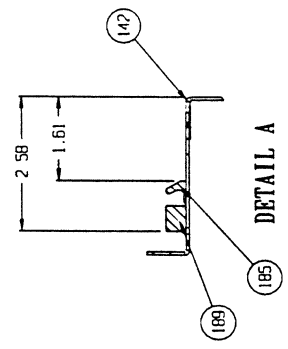
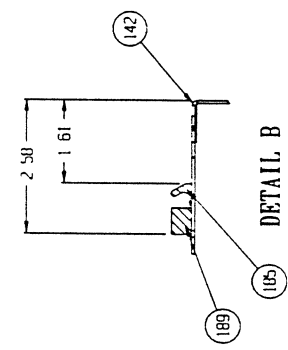
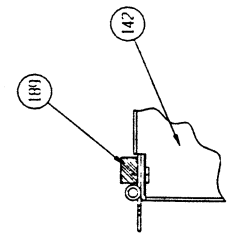
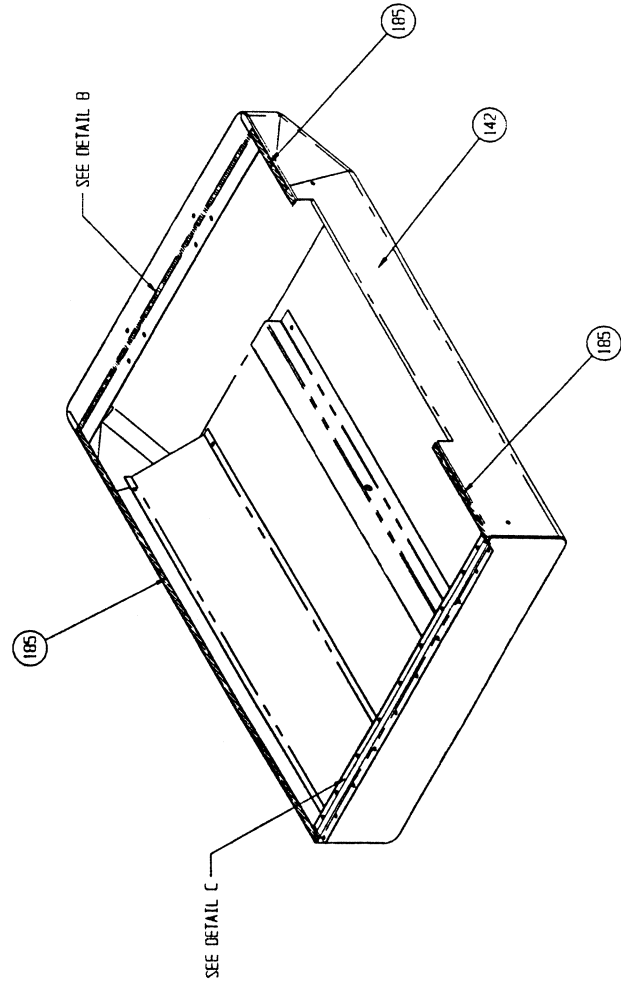
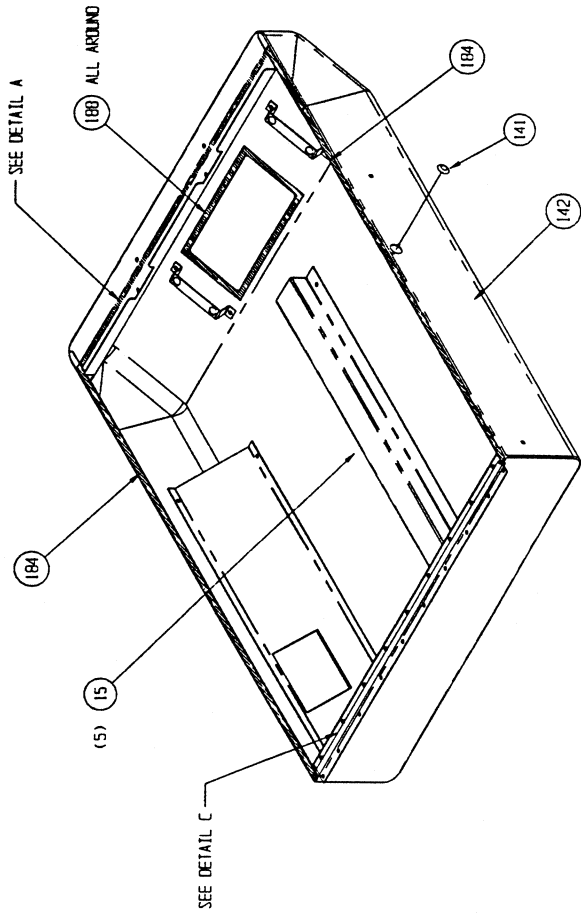


ASSY-SDP CHASSIS SHEET.3

SEQN	COMPONENT	DESCRIPTION	QTY
089	900821-002	PULL-POCKET 4.84 X 1.84 .040-.070	2
142	806622-001	KIT-CHASSIS "96"	REF

ASSY-SDP CHASSIS

Mitsubishi Silver DigiPlater 1800 Parts List

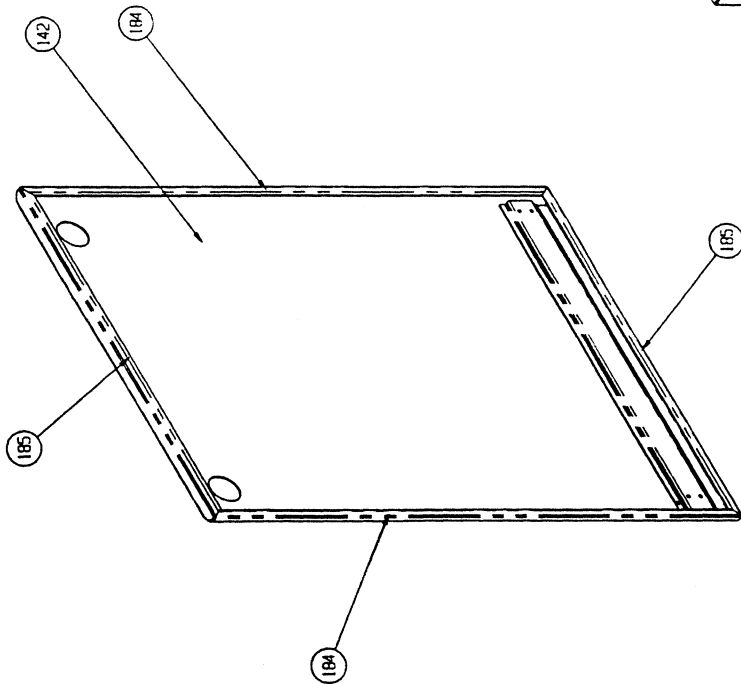


ASSY-SDP CHASSIS SHEET.4

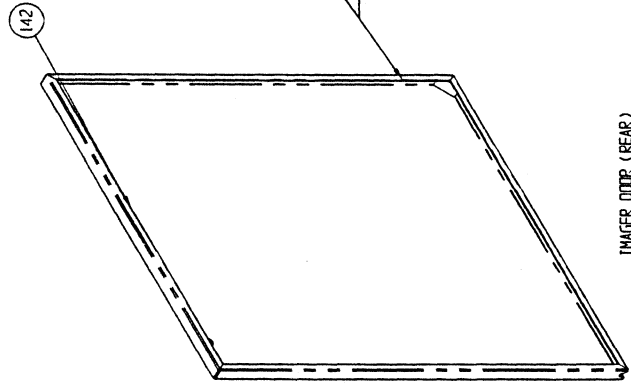
SEQN	COMPONENT	DESCRIPTION	QTY
015	901029-002	STANDOFF-WIRE	5
141	900891-007	PLUG-PLASTIC	1
142	806622-001	KIT-CHASSIS "96"	REF
184	900774-002	SEAL-EMI C FOLD	A/R
185	900774-003	SEAL-EMI C FOLD	A/R
188	900774-008	SEAL-EMI .125 X .500	A/R
189	900214-004	TAPE-FOAM SINGLE COATED 4317 X .5	A/R

Mitsubishi Silver DigiPlater 1800 Parts List

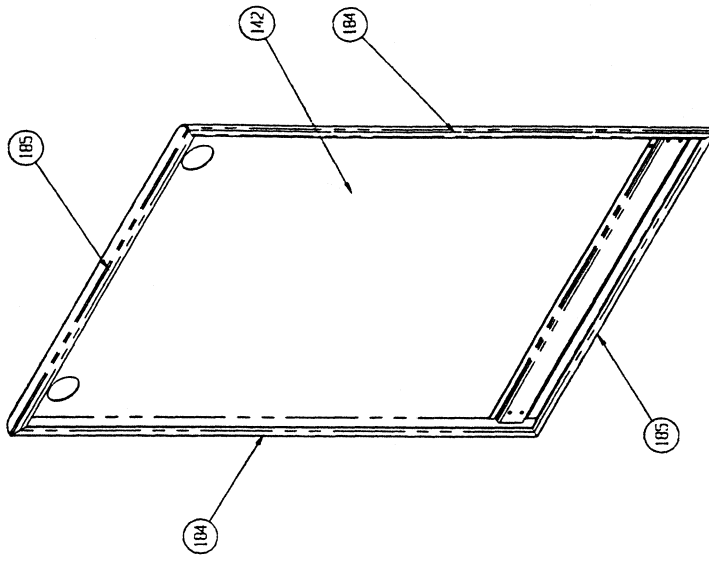
ASSY-SDP CHASSIS



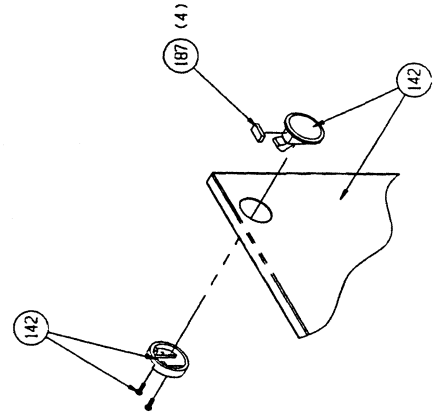
IMAGER DOOR (FRONT)



IMAGER DOOR (REAR)



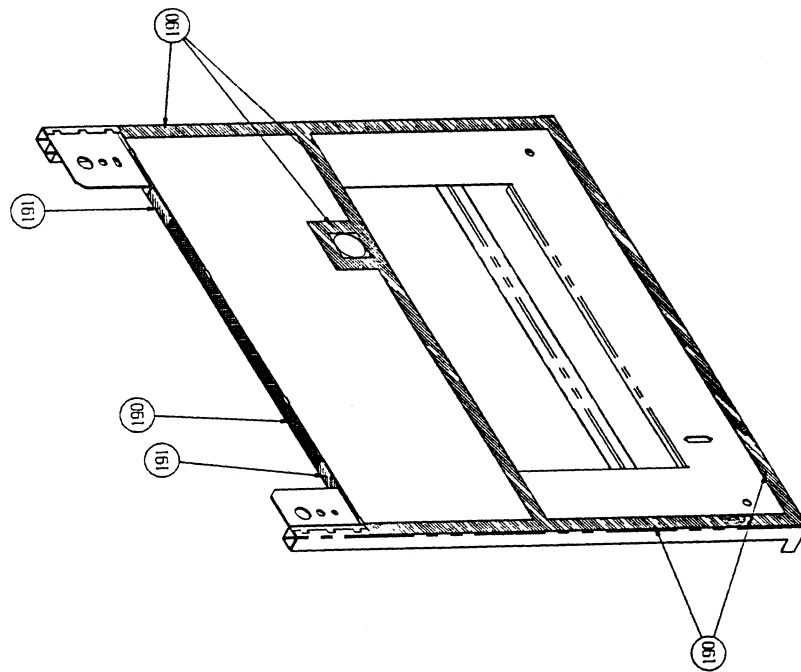
PROCESSOR DOOR



ASSY-SDP CHASSIS SHEET.5

SEQN	COMPONENT	DESCRIPTION	QTY
142	806622-001	KIT-CHASSIS "96"	REF
184	900774-002	SEAL-EMI C FOLD	A/R
185	900774-003	SEAL-EMI C FOLD	A/R
187	900214-001	TAPE-FOAM SINGLE COATED 4714 X .5	A/R

ASSY-SDP CHASSIS



ASSY-SDP CHASSIS SHEET.6

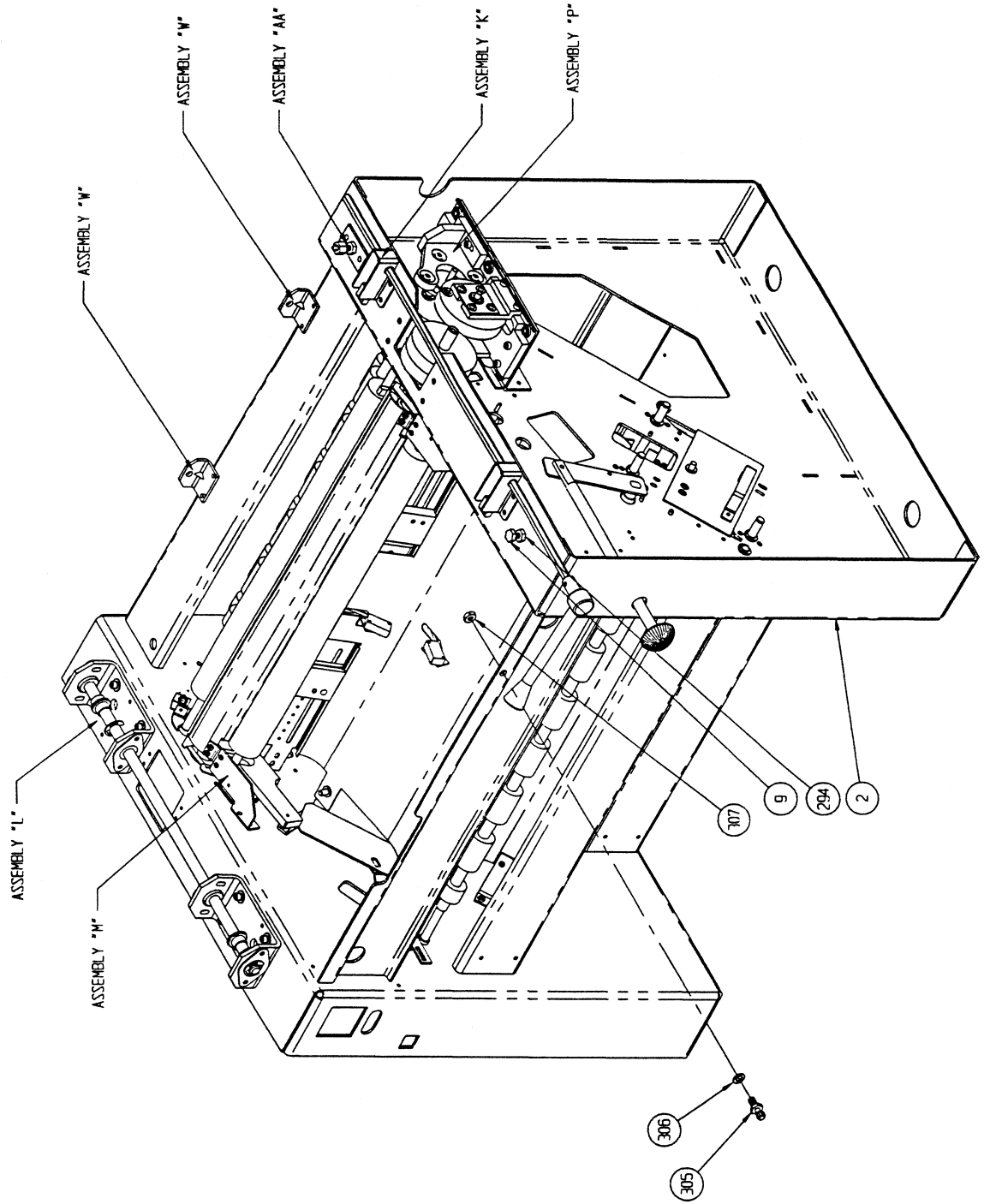
SEQN	COMPONENT	DESCRIPTION	QTY
190	900214-009	TAPE-FOAM SINGLE PSA 4317 X 3/4	A/R
191	900835-003	TAPE-FOAM SELF ADHESIVE 1 X 1 X 9	A/R

ASSY-SDP CHASSIS SHEET.7

SEQN	COMPONENT	DESCRIPTION	QTY
009	806497-001	ASSY-CABLE BLK/GALVO HEATER	1
010	803334-001	ASSY-CABLE BRK/BLK	1
011	804149-001	ASSY-CABLE FIL/BRK	1
016	900040-001	CLIP-CORD ADHESIVE .28	A/R
017	900040-002	CLIP-CORD ADHESIVE .62	A/R
018	900040	CLIP-CORD ADHESIVE .19	A/R
032	900813-001	FILTER-RFI	REF
033	600267-002	CIRCUIT-BREAKER DOUBLE POLE	REF
034	600320-001	OUTLET- 16/20A	REF
036	600307-001	OUTLET-ACCESSORY	REF
093	600272-000	TERMINAL-BLOCK GRAY	REF
094	600272-003	TERMINAL-BLOCK GRN/YELLOW	REF
095	600272-004	TERMINAL-BLOCK END PLATE	REF
136	806504-001	ASSY-CABLE FAN FILTER	1
137	806461-001	ASSY-CABLE OUTLET PROC	1
138	806462-001	ASSY-CABLE GND	1
151	806503-001	ASSY-CABLE FI/GRD	1
164	900894-001	FAN-AC	REF
166	900336-000	NUT-SELF LOCKING 6-32	2
201	806493-001	BRKT-MOUNTING CONNECTOR	REF

ASSY-SDP ROLLER TRANSPORT

Mitsubishi Silver DigiPlater 1800 Parts List

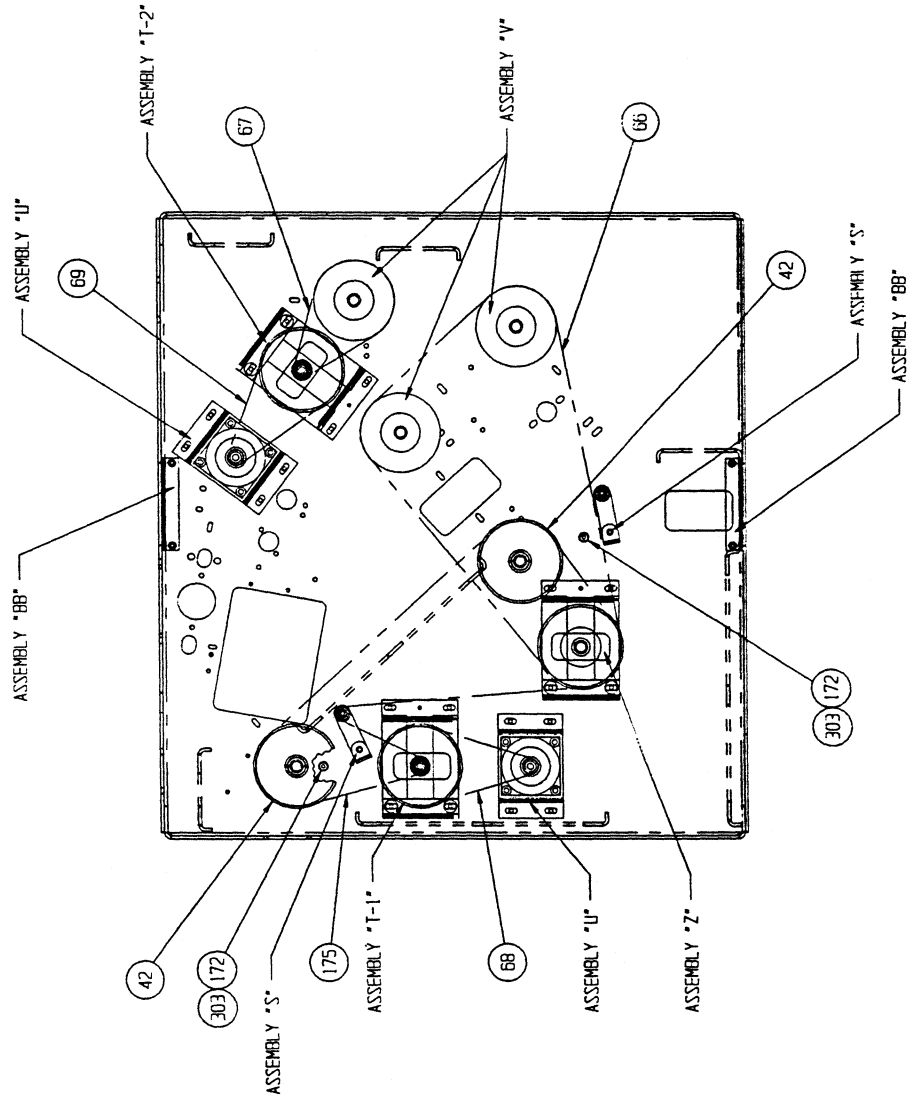


ASSY-SDP ROLLER TRANSPORT SHEET.1

SEQN	COMPONENT	DESCRIPTION	QTY
002	806265-001	WELDMENT-ROLLER TRANSPORT	1
009	804544-002	BOLT-MODIFIED HEX	1
294	900928-003	NUT-HEX JAM 1/4 X 28	1
305	900257	STUD- 10MM BALL- 5/16-18 THREAD	1
306	900223-007	WASHER-LOCK HELICAL SPRING 5/16 REG	1
307	900222-003	NUT-HEX UNC 5/16-18	1

ASSY-SDP ROLLER TRANSPORT

Mitsubishi Silver DigiPlater 1800 Parts List



MOTOR AND BELT ASSEMBLY

ASSY-SDP ROLLER TRANSPORT SHEET.2

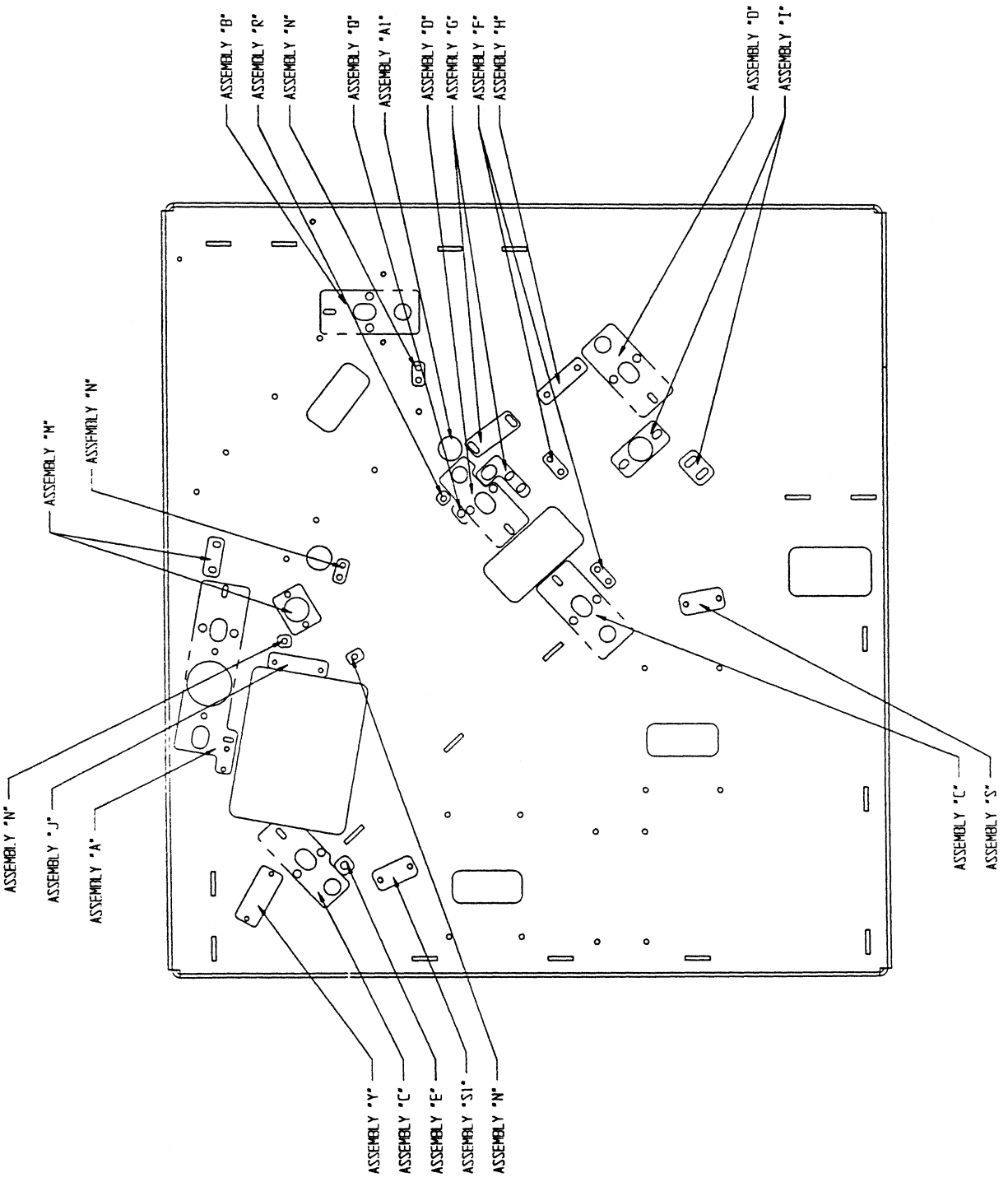
SEQN	COMPONENT	DESCRIPTION	QTY
042	803744-001	ASSY-PULLEY OVERRUNNING CLUTCH	2
066	900569-016	BELT-TIMING 500 GROOVES	1
067	900569-001	BELT-TIMING 165 GROOVES 1/4" W	1
068	900569-008	BELT-TIMING 184 GROOVES 1/4" W	1
069	900569-030	BELT-TIMING 180 GROOVES	1
172	900236-009	SCREW-SOCKET HD SHLD 10-32 X .1880	2
175	900569-018	BELT-TIMING 548 GROOVES	1
303	900016-000	LOCKTITE-SMALL SCREW	0

ASSEMBLY "N" ASSEMBLY "J" ASSEMBLY "A"

ASSEMBLY "B" ASSEMBLY "R" ASSEMBLY "N" ASSEMBLY "D" ASSEMBLY "AI" ASSEMBLY "D" ASSEMBLY "G" ASSEMBLY "F" ASSEMBLY "H" ASSEMBLY "D" ASSEMBLY "I"

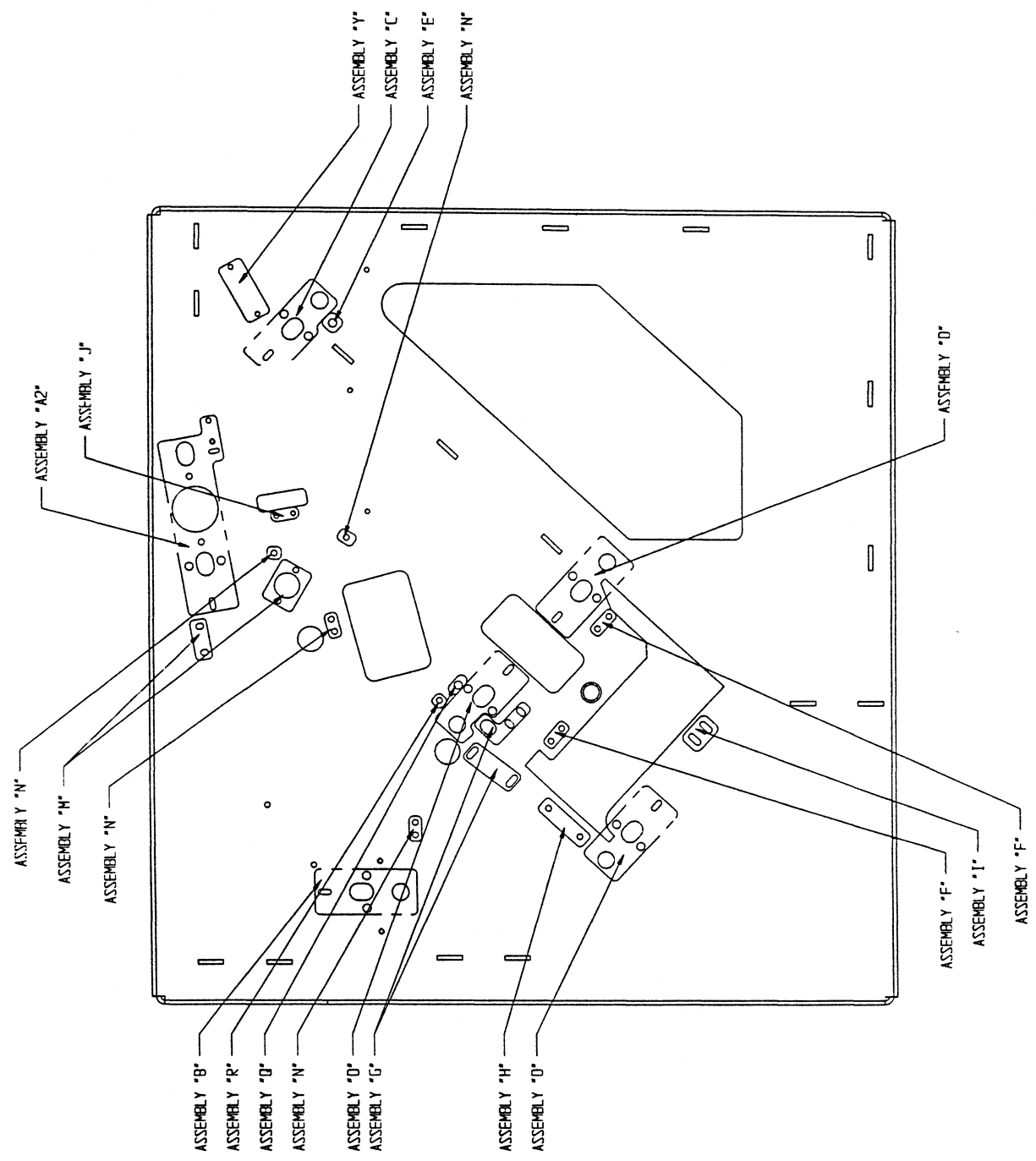
ASSEMBLY "Y" ASSEMBLY "C" ASSEMBLY "E" ASSEMBLY "SI" ASSEMBLY "N" ASSEMBLY "C" ASSEMBLY "S"

ASSEMBLY "N"



ASSY-SDP ROLLER TRANSPORT

Mitsubishi Silver DigiPlater 1800 Parts List

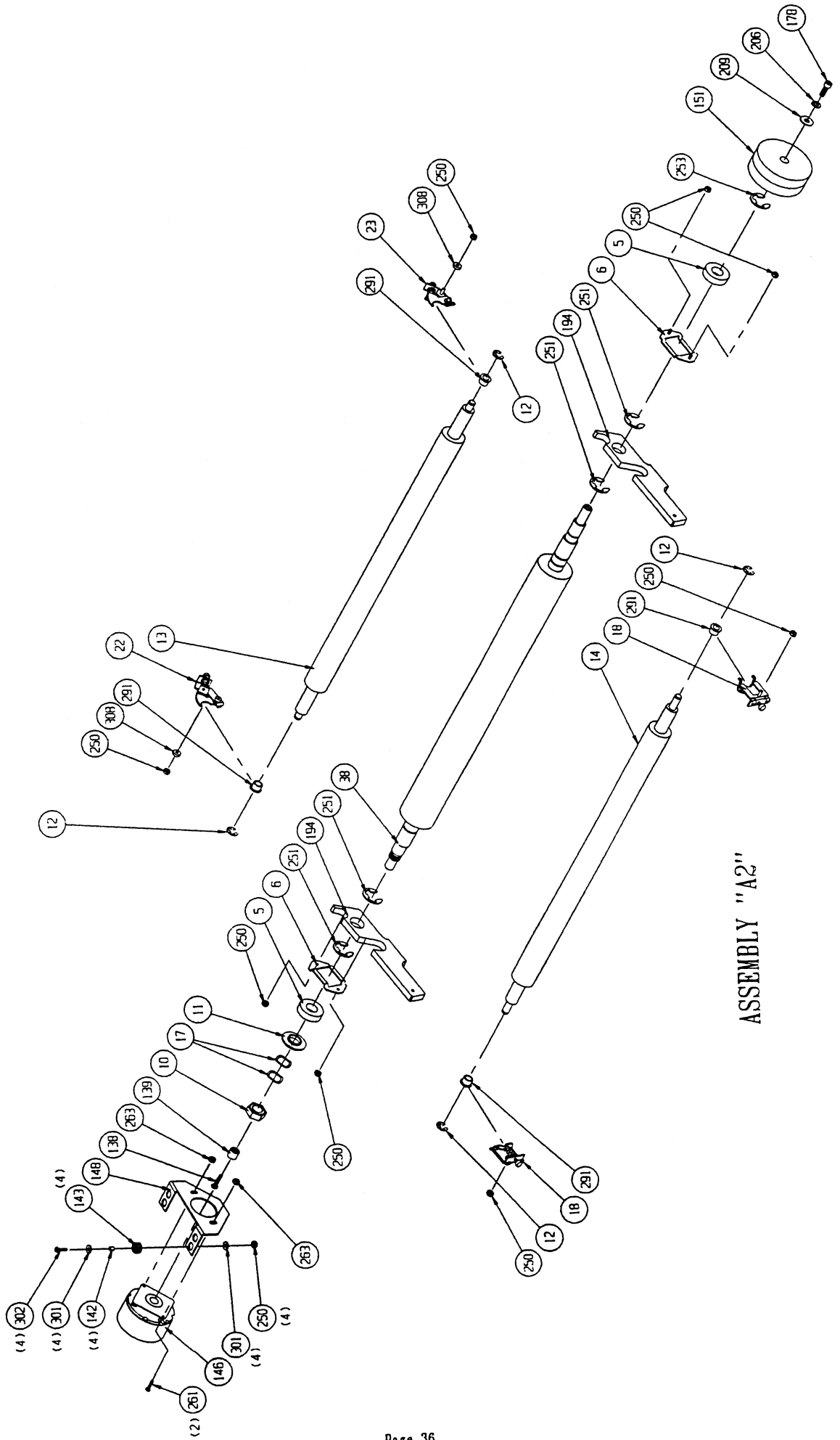


ASSY-SDP ROLLER TRANSPORT SHEET.3

SEQN	COMPONENT	DESCRIPTION	QTY
154	806331-001	SHAFT-DRIVE LINKAGE	1
162	806301-001	LINK-ROLLER UNLOAD UPPER	1
163	806301-002	LINK-ROLLER UNLOAD UPPER	1
164	806302-001	PLATE-TORQUE	2
165	900223-004	WASHER-LOCK HELICAL SPRING #8 REG.	4
166	900235-005	SCREW-SHC 8-32 X .38	4
170	806303-001	ARM-UNLOAD	1
171	900276-007	WASHER-NYLON WEAR .189 ID X .410 OD	9
173	900236	SCREW-SOCKET HD SHLD 8-32 X .188	10
177	900324-001	WASHER-CURVED SPRING 3/8	11
178	900235-035	SCREW-SHC 1/4-20 X 1/2	1
186	900229-003	E-RING, SAE, 1/2 SHAFT	2
187	901024-001	KNOB-PULL	1
188	804703-001	WASHER-MOD.	2
189	804704-001	ROD-PIVOT	1
193	900319-002	BEARING-NON METALLIC, FLANGED	2
195	806304-001	LINK-PINCH UNLOADING	2
206	900223-000	WASHER-LOCK HELICAL SPRING 1/4 REG.	1
209	900160-009	WASHER-FLAT STEEL # 1/4 REGULAR	1
254	900236-008	SCREW-SOCKET HD SHLD 8-32 X .2505	1
293	900276-006	WASHER-NYLON WEAR .253 ID X .568 OD	2
303	900016-000	LOCTITE-SMALL SCREW	0

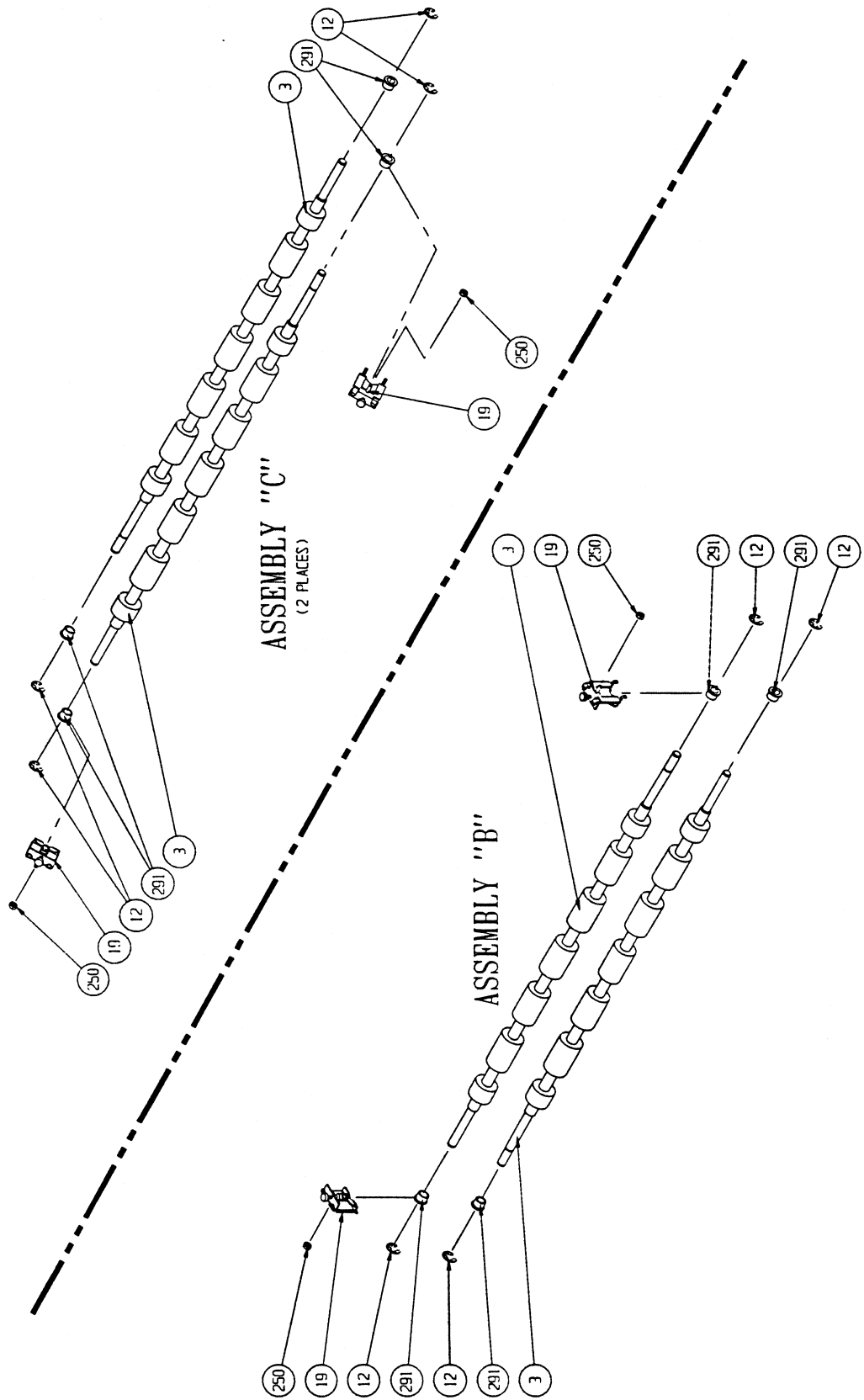
Mitsubishi Silver DigiPlater 1800 Parts List

ASSY-SDP ROLLER TRANSPORT



ASSY-SDP ROLLER TRANSPORT SHEET.4

SEQN	COMPONENT	DESCRIPTION	QTY
005	900297-001	BEARING-BALL	2
006	803305-001	RETAINER-BEARING	2
010	900928-002	NUT-HEX JAM 5/8-18	1
011	822307	WASHER-PRELOAD SPRING M.T.	1
012	900229-002	E-RING, SAE, 3/8 SHAFT	4
013	802846-001	ROLLER-PINCH 18"	1
014	806555-001	ROLLER-PINCH STAINLESS STL	1
017	900360-000	WASHER-WAVE SPRING 22MM OD X .010	2
018	803418-001	ASSY-LOWER PINCH TENSION	2
022	803463-001	ASSY-UPPER PINCH TENSION R.H.	1
023	803466-001	ASSY-UPPER PINCH TENSION L.H.	1
038	804477-001	ROLLER-ALUMINUM IMAGE	1
138	900287-020	SCREW-PAN PPH 8-32 X 1.00	1
139	804583-001	ADAPTOR-ENCODER EXTENSION	1
142	900039-001	SPACER .171 ID, .25 OD, .25 HT	4
143	900767-001	GROMMETS-VIBRATION ISOLATOR	4
146	806126-002	ASSY-ENCODER	1
148	803790-001	BRKT-LHF ENCODER	1
151	804574-001	PULLEY-DUAL CAPSTAN	1
178	900235-035	SCREW-SHC 1/4-20 X 1/2	1
194	803697-001	BAR-UNLOADING	2
206	900223-000	WASHER-LOCK HELICAL SPRING 1/4 REG	1
209	900160-009	WASHER-FLAT STEEL # 1/4 REGULAR	1
250	900233	NUT-LOCK K, 6-32	12
251	900229-009	E-RING SAE .750 SHAFT	4
253	900229-008	E-RING SAE .625 SHAFT	1
261	900287-004	SCREW-PAN PPH 4-40 X .50	2
263	900233-002	NUT-LOCK K #4/40	2
291	900319-001	BEARING-NON METALLIC, FLANGED	4
301	900160-004	WASHER-FLAT STEEL #6	8
302	900235-032	SCREW-SHC 6-32 X 3/4	4
303	900016-000	LOKTITE-SMALL SCREW	0
308	900651-019	WASHER-FENDER .434 X .160 X .125	2



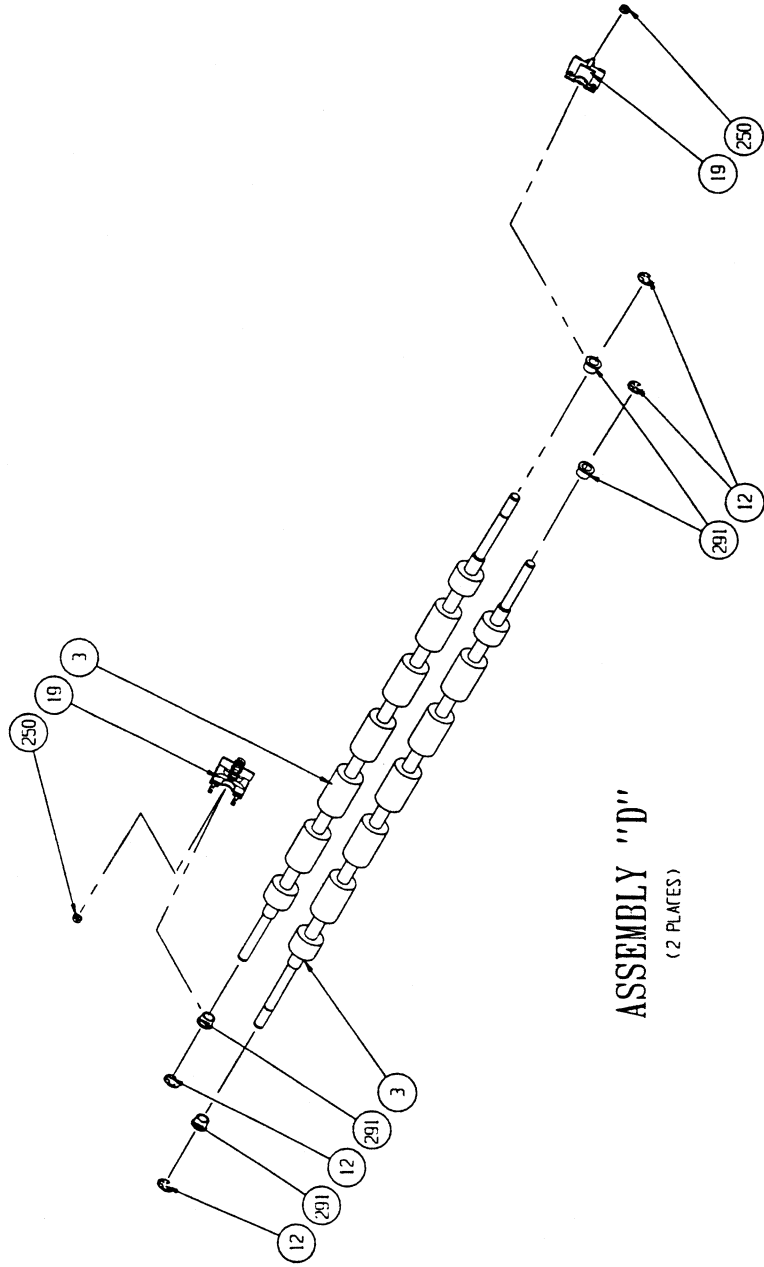
ASSY-SDP ROLLER TRANSPORT SHEET.5

ASSEMBLY "B"

SEQN	COMPONENT	DESCRIPTION	QTY
003	804288-001	ROLLER-SEGMENTED 18"	2
012	900229-002	E-RING, SAE, 3/8 SHAFT	4
019	803419-001	ASSY-DR/EXIT ROLLER TENSION	2
250	900233	NUT-LOCK K, 6-32	2
291	900319-001	BEARING-NON METALLIC, FLANGED	4

ASSEMBLY "C"

SEQN	COMPONENT	DESCRIPTION	QTY
003	804288-001	ROLLER-SEGMENTED 18"	2
012	900229-002	E-RING, SAE, 3/8 SHAFT	4
019	803419-001	ASSY-DR/EXIT ROLLER TENSION	2
250	900233	NUT-LOCK K, 6-32	2
291	900319-001	BEARING-NON METALLIC, FLANGED	4



ASSEMBLY "D"
(2 PLATES)

ASSY-SDP ROLLER TRANSPORT SHEET.6

ASSEMBLY "D"

SEQN	COMPONENT	DESCRIPTION	QTY
003	804288-001	ROLLER-SEGMENTED 18"	2
012	900229-002	E-RING, SAE, 3/8 SHAFT	4
019	803419-001	ASSY-DR/EXIT ROLLER TENSION	2
250	900233	NUT-LOCK K, 6-32	2
291	900319-001	BEARING-NON METALLIC, FLANGED	4

ASSY-SDP ROLLER TRANSPORT SHEET.7

ASSEMBLY "E"

SEQN	COMPONENT	DESCRIPTION	QTY
121	900229-001	E-RING, SAE, 1/4 SHAFT	3
190	806313-001	GUIDE-BUFFER-UPPER	1
191	806314-001	GUIDE-BUFFER-LOWER	1
267	900261-004	RECEPTACLE- 1/4 TURN	2
268	900875-002	RING-EXTERNAL RETAINING	2
269	900958-001	NUT-RECEPTACLE RETAINING	2
270	900839-002	FASTENER-1/4 TURN PUSH BUTTON	2
271	900277-023	SPRING-COMPRESSION .75X.360X.038	1
272	900047-002	WASHER-EXTERNAL LOCK #6	8
290	900224-001	SCREW, TAPTITE, PPH, 6-32 X 3/8	8

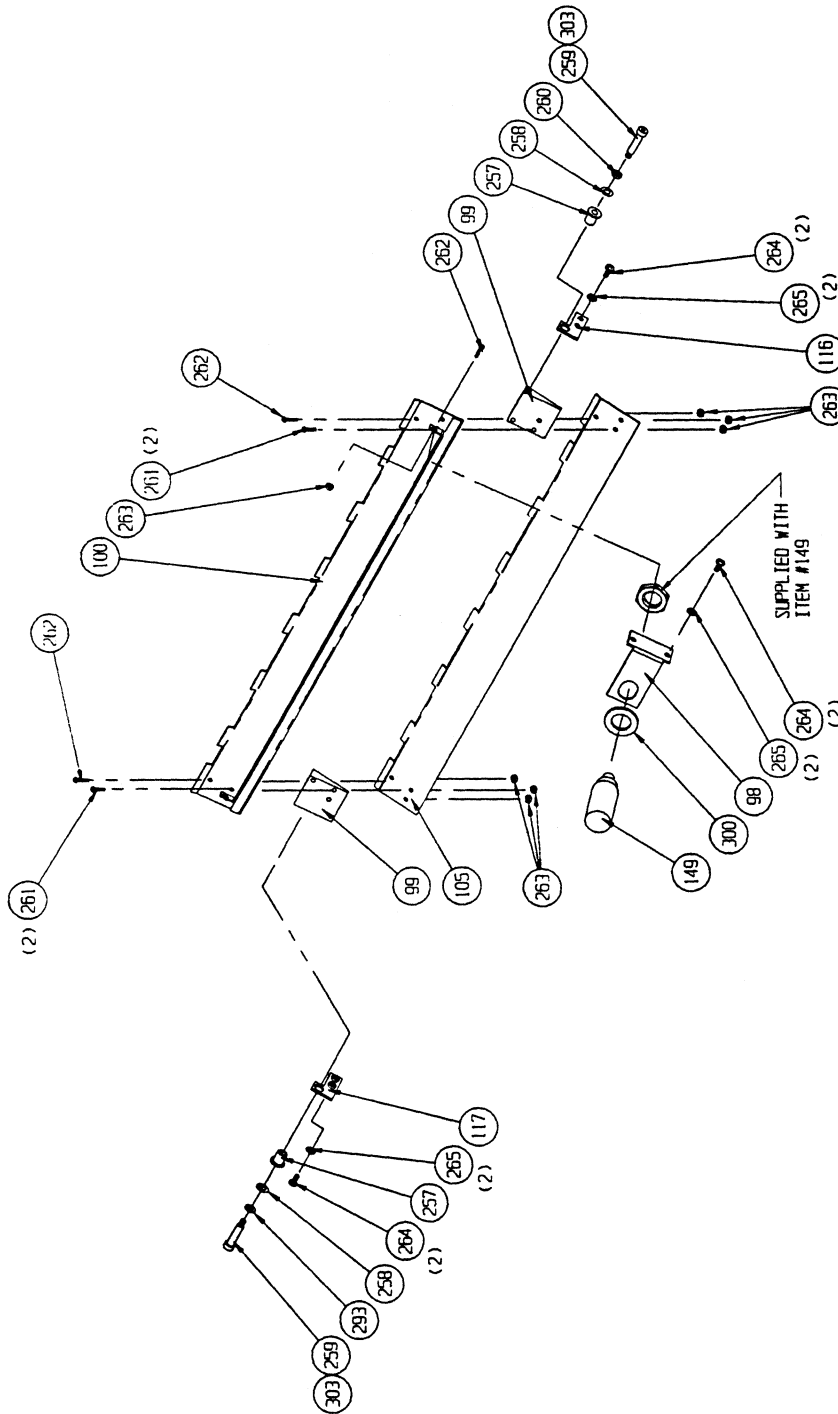
ASSY-SDP ROLLER TRANSPORT SHEET.8

ASSEMBLY "F"

SEQN	COMPONENT	DESCRIPTION	QTY
036	806255-001	BRKT-REVERSING GUIDE MTG	4
047	806256-001	GUIDE-PLATE REVERSING	1
256	900248-002	SCREW-UNDERCT FLT HD UNC 4-40 X 3/8	8
264	900287-003	SCREW-PAN PPH 8-32 X .38	8
265	900047-000	WASHER-EXTERNAL LOCK #8	8
303	900016-000	LOCKTITE-SMALL SCREW	0

Mitsubishi Silver DigiPlater 1800 Parts List

ASSY-SDP ROLLER TRANSPORT

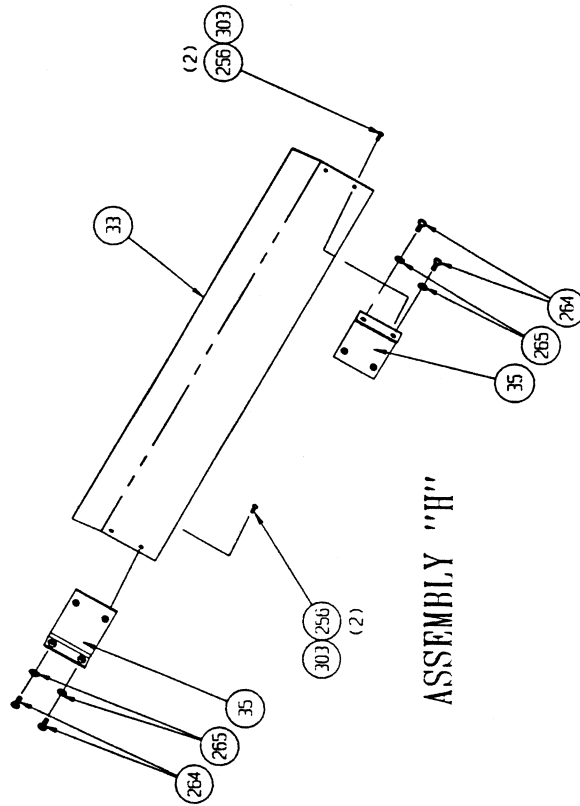


ASSEMBLY "G"

ASSY-SDP ROLLER TRANSPORT SHEET.9

ASSEMBLY "G"

SEQN	COMPONENT	DESCRIPTION	QTY
098	806258-001	BRKT-MTG SOLENOID	1
099	806259-001	SHIM-SWITCHING	2
100	806260-001	PLATE-SWITCHING	1
105	806405-001	PLATE-SWITCHING	1
116	806264-001	BRKT-TRACK CHANGER ADJ	1
117	806264-002	BRKT-TRACK CHANGER ADJ	1
149	806223-001	ASSY-SOLENOID	1
257	900406-004	BEARING-OIL LESS BRONZE DB1111	2
258	900324-003	WASHER-CURVED SPRING 1/4	2
259	900236-018	SCREW-SOCKET HD SHLD 10-32 X 1.000	2
260	900276-005	WASHER-NYLON WEAR .255 ID X .375 OD	1
261	900287-004	SCREW-PAN PPH 4-40 X .50	4
262	900287-017	SCREW-PAN PPH 4-40 X .63	3
263	900233-002	NUT-LOCK K #4/40	7
264	900287-003	SCREW-PAN PPH 8-32 X .38	6
265	900047-000	WASHER-EXTERNAL LOCK #8	6
293	900276-006	WASHER-NYLON WEAR .253 ID X .568 OD	1
300	900651-016	WASHER-FENDER 1.260 X .750 X .105	1

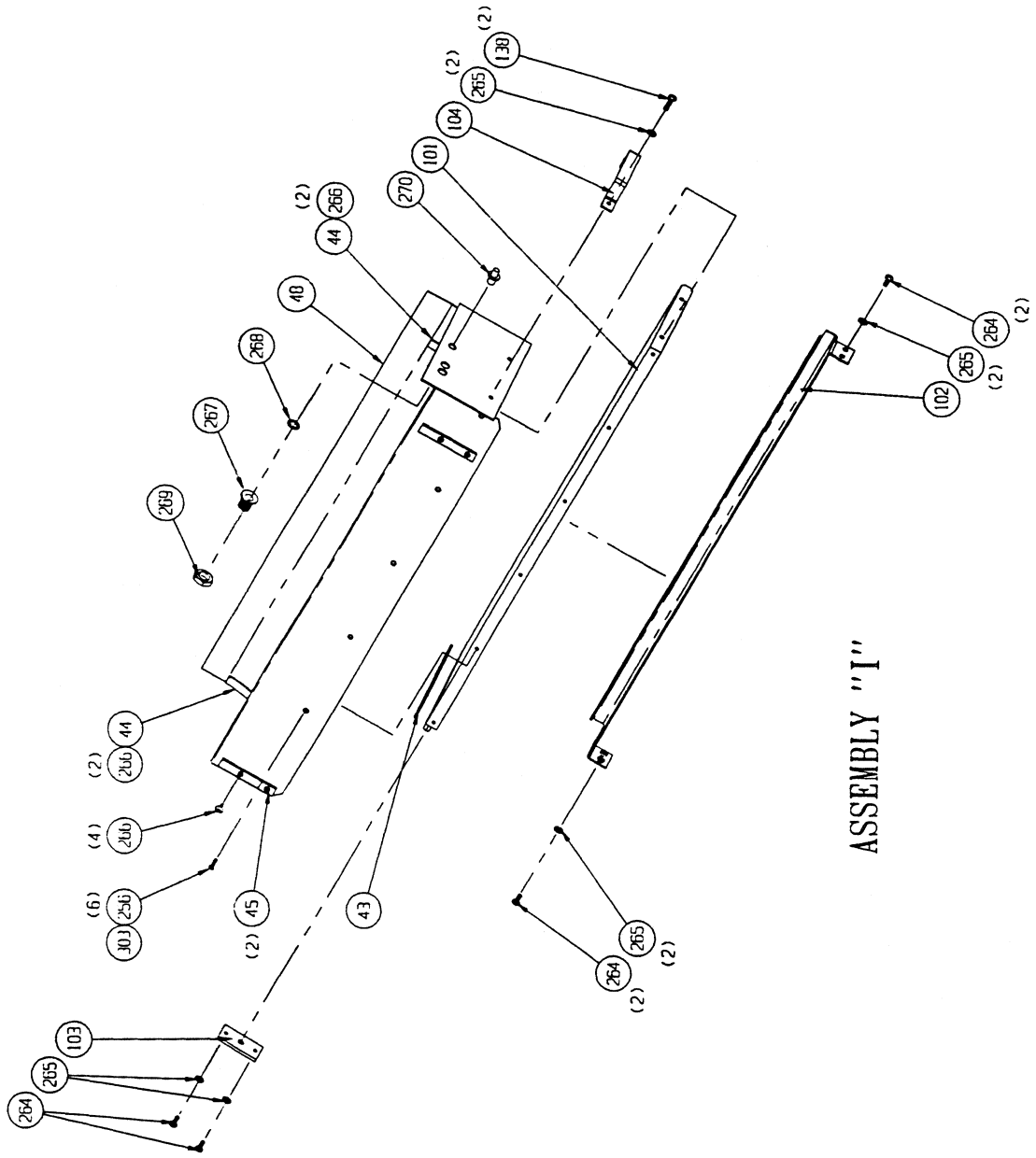


ASSEMBLY "H"

ASSY-SDP ROLLER TRANSPORT SHEET.10

ASSEMBLY "H"

SEQN	COMPONENT	DESCRIPTION	QTY
033	806253-001	GUIDE-TAKE/UP	1
035	806254-001	BRKT-TAKE/UP GUIDE MTG	2
256	900248-002	SCREW-UNDERCT FLT HD UNC 4-40 X 3/8	4
264	900287-003	SCREW-PAN PPH 8-32 X .38	4
265	900047-000	WASHER-EXTERNAL LOCK #8	4
303	900016-000	LOCKTITE-SMALL SCREW	0



ASSEMBLY "I"

ASSY-SDP ROLLER TRANSPORT SHEET.11

ASSEMBLY "I"

SEQN	COMPONENT	DESCRIPTION	QTY
043	806471-001	STRIP-GUIDE SPACER 2.5	1
044	806584-002	STRIP-GUIDE SPACER BEVELED 8.0	2
045	806584-001	STRIP-GUIDE SPACER BEVELED 2.5	2
048	806257-001	GUIDE-REVERSING	1
101	806261-001	SLIDE-REVERSING GUIDE	1
102	806262-001	SLIDE-STATIONARY	1
103	806326-001	PLATE-MARKER LOCATING UPPER	1
104	806263-001	HANDLE-REVERSING GUIDE	1
138	900287-020	SCREW-PAN PPH 8-32 X 1.00	2
256	900248-002	SCREW-UNDERCT FLT HD UNC 4-40 X 3/8	6
264	900287-003	SCREW-PAN PPH 8-32 X .38	6
265	900047-000	WASHER-EXTERNAL LOCK #8	8
266	901078-001	RIVET-POP	8
267	900261-004	RECEPTACLE- 1/4 TURN	1
268	900875-002	RING-EXTERNAL RETAINING	1
269	900958-001	NUT-RECEPTACLE RETAINING	1
270	900839-002	FASTENER-1/4 TURN PUSH BUTTON	1
303	900016-000	LOCKTITE-SMALL SCREW	0

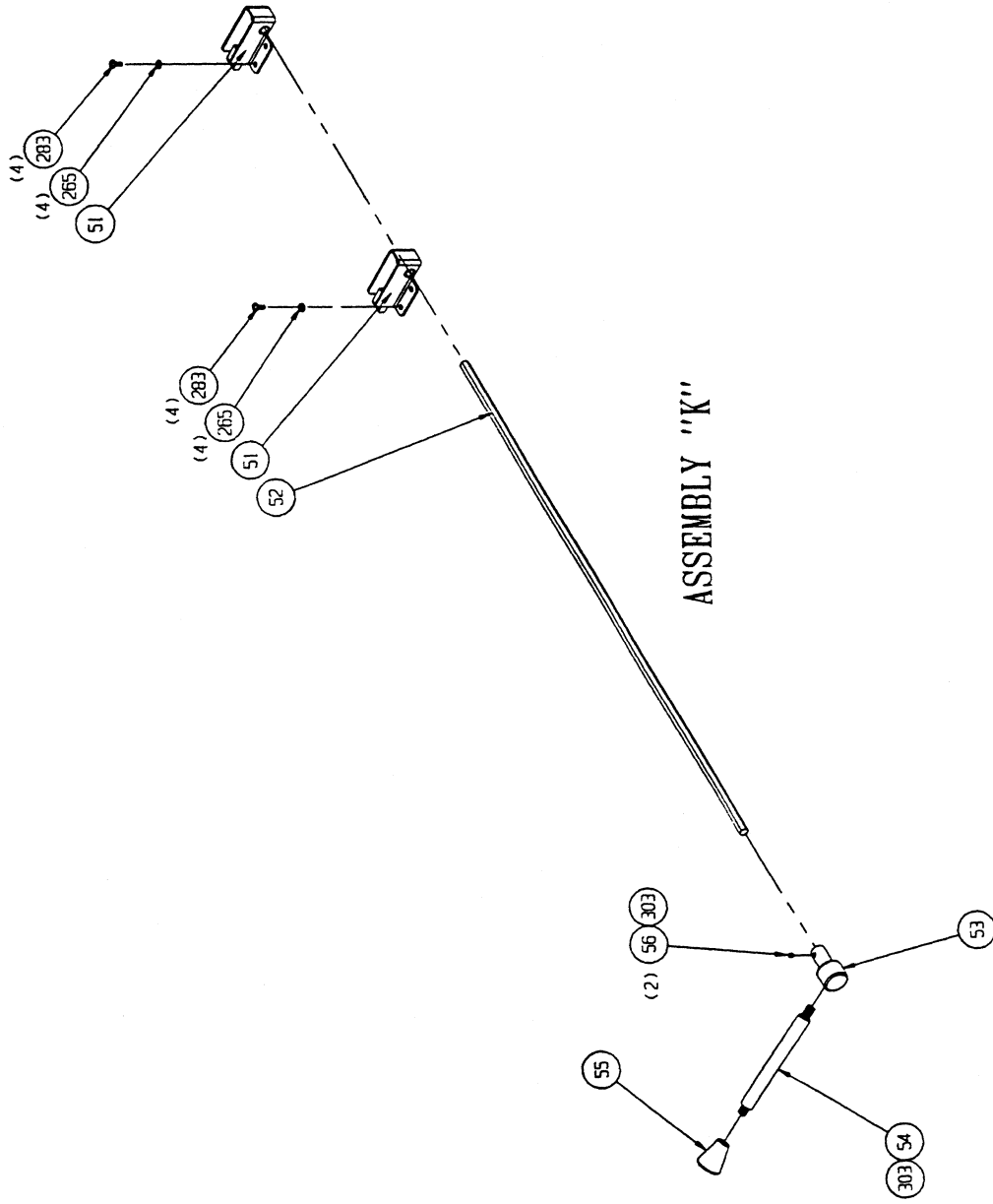
ASSY-SDP ROLLER TRANSPORT SHEET.12

ASSEMBLY "J"

SEQN	COMPONENT	DESCRIPTION	QTY
049	806309-001	BRKT-CUTTER MTG	1
050	806247-001	ASSY-SDP CUTTER	1
192	806305-001	BRKT-CUTTER BRKT MTG	1
197	806227-001	BRKT-CUTTER MTG	1
264	900287-003	SCREW-PAN PPH 8-32 X .38	4
265	900047-000	WASHER-EXTERNAL LOCK #8	12
276	900160-005	WASHER-FLAT STEEL #8	6
279	900235-005	SCREW-SHC 8-32 X .38	8

Mitsubishi Silver DigiPlater 1800 Parts List

ASSY-SDP ROLLER TRANSPORT



ASSY-SDP ROLLER TRANSPORT SHEET.13

ASSEMBLY "K"

SEQN	COMPONENT	DESCRIPTION	QTY
051	901026-001	LATCH-COMPRESSION ASSEMBLY	2
052	806623-001	ROD-5/16 HEX - SST	1
053	806617-001	HUB-HANDLE	1
054	806618-001	SHAFT-HANDLE	1
055	901102-001	KNOB-OVAL TAPERD	1
056	901070-003	SCREW-SET STAINLESS 10-32 X .188	2
265	900047-000	WASHER-EXTERNAL LOCK #8	8
283	900224-005	SCREW, TAPTITE, PPH, 8-32 X .50	8
303	900016-000	LOCKTITE-SMALL SCREW	0

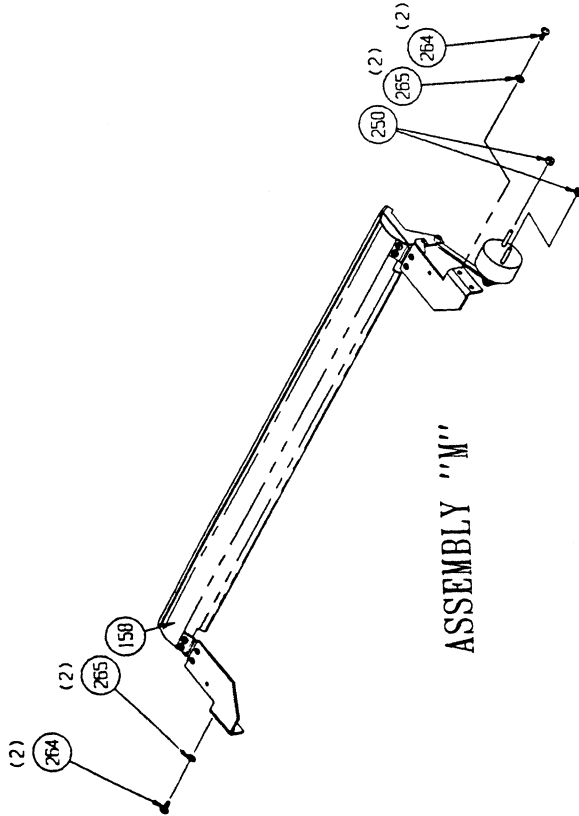
ASSY-SDP ROLLER TRANSPORT SHEET.14

ASSEMBLY "L"

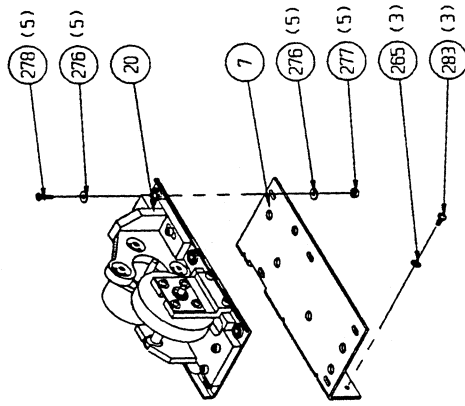
SEQN	COMPONENT	DESCRIPTION	QTY
125	806393-001	BRKT-BEARING SUPPORT	2
134	900406-006	BEARING-OIL LESS BRONZE DB1122	2
136	806585-001	BEARING-MODIFIED SELF ALIGN	4
137	900254-002	SPACER-SHAFT INNER 1/2ID X 1/16	1
135	806267-001	SHAFT-MARKER .5"	1
186	900229-003	E-RING, SAE, 1/2 SHAFT	4
272	900047-002	WASHER-EXTERNAL LOCK #6	8
273	900277-022	SPRING-COMPRESSION 1.50X.660X.072	2
276	900160-005	WASHER-FLAT STEEL #8	16
277	900233-003	NUT-LOCK K #8-32	16
287	900235-002	SCREW-SHC 8-32 X .50	8
290	900224-001	SCREW, TAPTITE, PPH, 6-32 X 3/8	8
295	900235-040	SCREW-SHC 8-32 X 5/8	8

Mitsubishi Silver DigiPlater 1800 Parts List

ASSY-SDP ROLLER TRANSPORT



ASSEMBLY "M"



ASSEMBLY "P"

ASSY-SDP ROLLER TRANSPORT SHEET.15

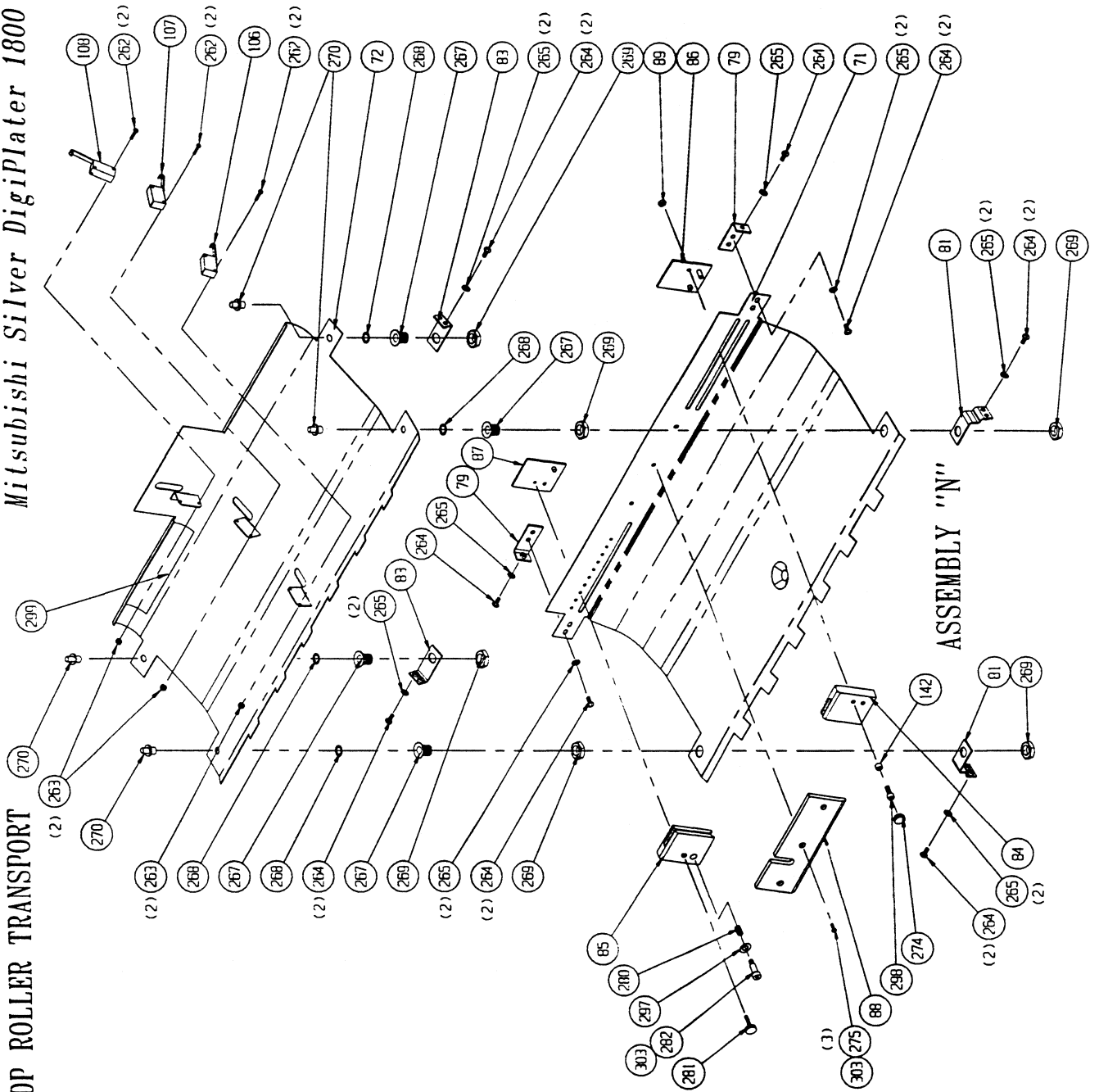
ASSEMBLY "M"

SEQN	COMPONENT	DESCRIPTION	QTY
158	806322-001	ASSY-CAPSTAN GUIDE	1
250	900233	NUT-LOCK K, 6-32	2
264	900287-003	SCREW-PAN PPH 8-32 X .38	4
265	900047-000	WASHER-EXTERNAL LOCK #8	4

ASSEMBLY "P"

SEQN	COMPONENT	DESCRIPTION	QTY
007	806308-001	BRKT-CAPSTAN DRIVE MTG	1
020	804627-001	ASSY-CAPSTAN DRIVE	1
265	900047-000	WASHER-EXTERNAL LOCK #8	3
276	900160-005	WASHER-FLAT STEEL #8	10
277	900233-003	NUT-LOCK K #8-32	5
278	900235-000	SCREW-SHC 8-32 X .75	5
283	900224-005	SCREW, TAPTITE, PPH, 8-32 X .50	3

ASSY-SDP ROLLER TRANSPORT *Mitsubishi Silver DigiPlater 1800 Parts List*



ASSY-SDP ROLLER TRANSPORT SHEET.16

ASSEMBLY "N"

SEQN	COMPONENT	DESCRIPTION	QTY
071	806349-001	GUIDE-SOLID UPPER	1
072	806233-001	GUIDE-UPPER REMOVABLE	1
079	806228-001	BRKT-LOWER SOLID MTG	2
081	806279-001	BRKT-INPUT GUIDE MTG-FRONT	2
083	806239-001	BRKT-UPPER GUIDE MTG	2
084	806350-001	BLOCK-ADJUST EDGE GUIDE	1
085	806351-001	BLOCK-POSITIONING EDGE GUIDE	1
086	806352-001	PLATE-ADJUST BLOCK BACKUP	1
087	806354-001	PLATE-POSITIONING BLOCK BACKUP	1
088	806238-001	BRIDGE-MEDIA INPUT	1
089	900336-001	NUT-SELF LOCKING HEX 8-32 UNC 3B	1
106	806639-001	ASSY-SWITCH NO MEDIA	1
107	806639-002	ASSY-SWITCH FEED LOOP	1
108	806639-003	ASSY-SWITCH LOAD OK	1
142	900039-001	SPACER .171 ID, .25 OD, .25 HT	1
262	900287-017	SCREW-PAN PPH 4-40 X .63	6
263	900233-002	NUT-LOCK K #4/40	6
264	900287-003	SCREW-PAN PPH 8-32 X .38	14
265	900047-000	WASHER-EXTERNAL LOCK #8	14
267	900261-004	RECEPTACLE- 1/4 TURN	4
268	900875-002	RING-EXTERNAL RETAINING	4
269	900958-001	NUT-RECEPTACLE RETAINING	6
270	900839-002	FASTENER-1/4 TURN PUSH BUTTON	4
274	900566-003	KNOB-KNURLED SHC #8	1
275	900172-002	SCREW-FLAT HD 6-32 X .38	3
280	900277-004	SPRING-COMPRESSION .750X.360X.042	1
281	900963-002	PLUNGER-SPRING LOADED	1
282	900236-005	SCREW-SOCKET HD SHLD 8-32 X .6255	1
297	900160-012	WASHER-FLAT STEEL #8 NARROW	1
298	900235-041	SCREW-SHC 8-32 X 1 1/4	1
299	806417-001	LABEL-PLATE GUIDE POSITIONING	1
300	900016-000	LOCKTITE-SMALL SCREW	0

ASSY-SDP ROLLER TRANSPORT SHEET.17

ASSEMBLY "Q"

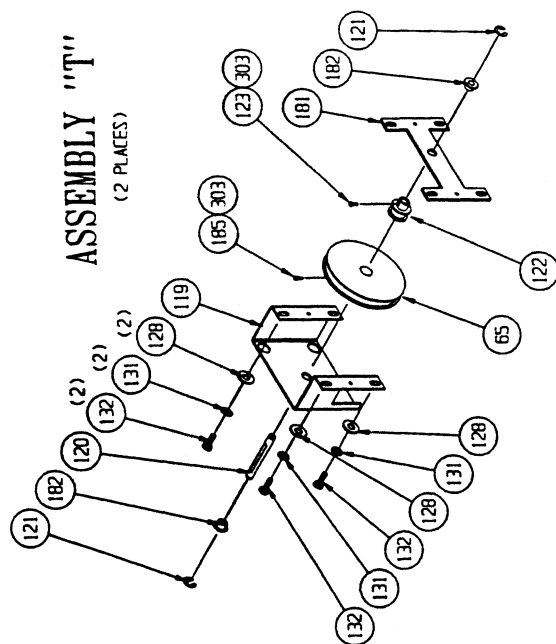
SEQN	COMPONENT	DESCRIPTION	QTY
077	806224-001	GUIDE-LOWER SWING	1
121	900229-001	E-RING, SAE, 1/4 SHAFT	3
271	900277-023	SPRING-COMPRESSION .75X.360X.038	1
284	900235-024	SCREW-SHC 2-56 X 3/16	4
285	901034-001	CLIP-SPRING	4
286	900336-005	NUT-SELF LOCKING HEX 2-56 UNC 3B	4

ASSEMBLY "R"

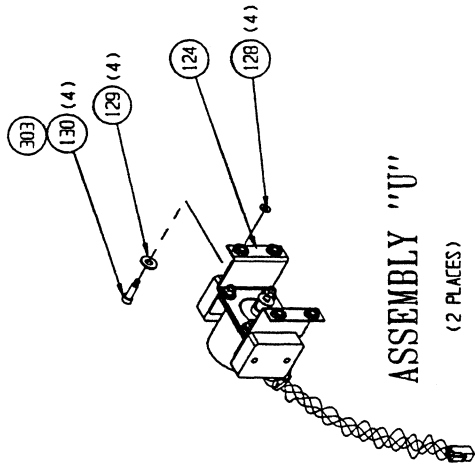
SEQN	COMPONENT	DESCRIPTION	QTY
078	806225-001	GUIDE-LOWER SOLID	1
079	806228-001	BRKT-LOWER SOLID MTG	4
109	806639-004	ASSY-SWITCH EXIT LOOP	1
262	900287-017	SCREW-PAN PPH 4-40 X .63	2
263	900233-002	NUT-LOCK K #4/40	2
264	900287-003	SCREW-PAN PPH 8-32 X .38	12
265	900047-000	WASHER-EXTERNAL LOCK #8	12

ASSY-SDP ROLLER TRANSPORT

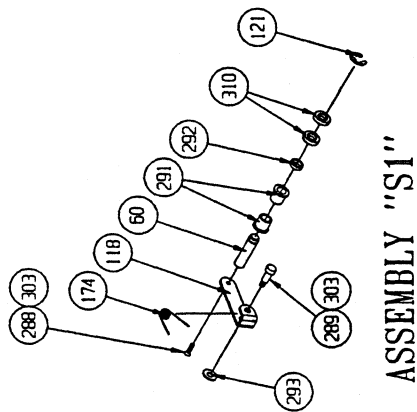
Mitsubishi Silver DigiPlater 1800 Parts List



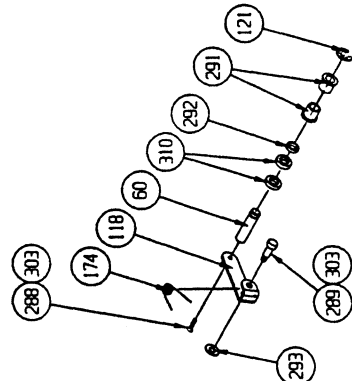
ASSEMBLY "T"
(2 PLACES)



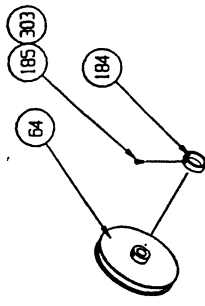
ASSEMBLY "U"
(2 PLACES)



ASSEMBLY "S1"



ASSEMBLY "S"



ASSEMBLY "V"
(3 PLACES)

ASSY-SDP ROLLER TRANSPORT SHEET.18

ASSEMBLY "S"

SEQN	COMPONENT	DESCRIPTION	QTY
060	803557-001	SHAFT-IDLER ARM BEARING	1
118	806330-001	ARM-IDLER	1
121	900229-001	E-RING, SAE, 1/4 SHAFT	1
174	900275-003	SPRING-TORSION, LT045H-4L	1
288	900172-003	SCREW-FLAT HD 6-32 X .5	1
289	900236-001	SCREW-SOCKET HD SHLD 10-32 X .500	1
291	900319-001	BEARING-NON METALLIC, FLANGED	2
292	900254-002	SPACER-SHAFT INNER 1/2ID X 1/16	1
293	900276-006	WASHER-NYLON WEAR .253 ID X .568 OD	1
303	900016-000	LOCKTITE-SMALL SCREW	0
310	900359-001	SPACER-.375 ID X .093 THICK	2

ASSEMBLY "S1"

SEQN	COMPONENT	DESCRIPTION	QTY
060	803557-001	SHAFT-IDLER ARM BEARING	1
118	806330-001	ARM-IDLER	1
121	900229-001	E-RING, SAE, 1/4 SHAFT	1
174	900275-003	SPRING-TORSION, LT045H-4L	1
288	900172-003	SCREW-FLAT HD 6-32 X .5	1
289	900236-001	SCREW-SOCKET HD SHLD 10-32 X .500	1
291	900319-001	BEARING-NON METALLIC, FLANGED	2
292	900254-002	SPACER-SHAFT INNER 1/2ID X 1/16	1
293	900276-006	WASHER-NYLON WEAR .253 ID X .568 OD	1
303	900016-000	LOCKTITE-SMALL SCREW	0
310	900359-001	SPACER-.375 ID X .093 THICK	2

ASSEMBLY "T"

SEQN	COMPONENT	DESCRIPTION	QTY
065	803772-001	PULLEY-MOD 130 TOOTH W/INSERT	1
119	806347-001	BRKT-IDLER	1
120	806348-001	SHAFT-IDLER	1
121	900229-001	E-RING, SAE, 1/4 SHAFT	2
122	806199-001	PULLEY-MOD.	1
123	900235-013	SCREW-SHC 6-32 X .25	1
128	900160-006	WASHER-FLAT STEEL #10	4
131	900047-003	WASHER-EXTERNAL LOCK #10	4
132	900288-000	SCREW-PPH 10-32 UNF X 1/2	4
181	803456-001	PLATE-FI IDLER	1
182	900406-002	BEARING OIL LESS BRONZE DB119	2
185	900235-001	SCREW-SHC 6-32 X .50	1
303	900016-000	LOCKTITE-SMALL SCREW	0

ASSY-SDP ROLLER TRANSPORT SHEET.18a

ASSEMBLY "U"

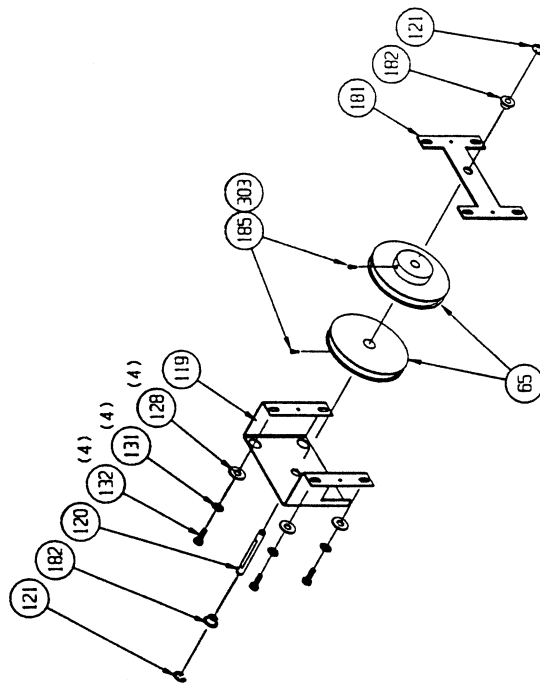
SEQN	COMPONENT	DESCRIPTION	QTY
124	803666-001	ASSY-MOTOR MOUNT	1
128	900160-006	WASHER-FLAT STEEL #10	4
129	900225-001	WASHER, FLAT STEEL, .25 DIA.	4
130	900236-012	SCREW-SOCKET HD SHLD 10-32 X .2505	4
303	900016-000	LOCKTITE-SMALL SCREW	0

ASSEMBLY "V"

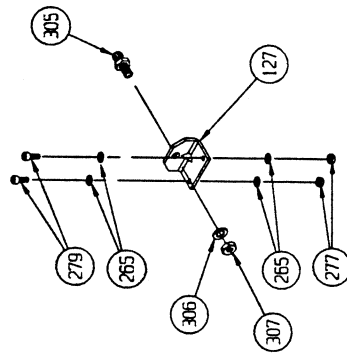
SEQN	COMPONENT	DESCRIPTION	QTY
064	803741-002	PULLEY-MOD	1
184	803713-001	COLLAR-PULLEY	1
185	900235-001	SCREW-SHC 6-32 X .50	1
303	900016-000	LOCKTITE-SMALL SCREW	0

Mitsubishi Silver DigiPlater 1800 Parts List

ASSY-SDP ROLLER TRANSPORT



ASSEMBLY "Z"



ASSEMBLY "W"

(2 PLACES)

ASSY-SDP ROLLER TRANSPORT SHEET.19

ASSEMBLY "Z"

SEQN	COMPONENT	DESCRIPTION	QTY
065	803772-001	PULLEY-MOD 130 TOOTH W/INSERT	2
119	806347-001	BRKT-IDLER	1
120	806348-001	SHAFT-IDLER	1
121	900229-001	E-RING, SAE, 1/4 SHAFT	2
128	900160-006	WASHER-FLAT STEEL #10	4
131	900047-003	WASHER-EXTERNAL LOCK #10	4
132	900288-000	SCREW-PPH 10-32 UNF X 1/2	4
181	803456-001	PLATE-FI IDLER 78	1
182	900406-002	BEARING OIL LESS BRONZE DB119	2
185	900235-001	SCREW-SHC 6-32 X .50	2
303	900016-000	LOCKTITE-SMALL SCREW	0

ASSEMBLY "W"

SEQN	COMPONENT	DESCRIPTION	QTY
127	806390-001	BRKT-GAS CYLINDER	1
265	900047-000	WASHER-EXTERNAL LOCK #8	4
277	900233-003	NUT-LOCK K #8-32	2
279	900235-005	SCREW-SHC 8-32 X .38	2
305	900257	STUD-10MM BALL 5/16-18 THD	1
306	900223-007	WASHER-LOCK HELICAL SPG. 5/16 REG	1
307	900222-003	NUT-HEX UNC 5/16-18	1

ASSY-SDP ROLLER TRANSPORT SHEET.20

ASSEMBLY "Y"

SEQN	COMPONENT	DESCRIPTION	QTY
024	806271-001	BRKT-EXIT GUIDE MTG L.H.	1
025	806271-002	BRLT-EXIT GUIDE MTG R.H.	1
026	806644-001	GUIDE-PLATE EXIT	1
028	806628-001	GUIDE-EXIT	1
110	806639-005	ASSY-SWITCH EXIT	1
262	900287-017	SCREW-PAN PPH 4-40 X .63	2
263	900233-002	NUT-LOCK K #4/40	2
264	900287-003	SCREW-PAN PPH 8-32 X .38	10
265	900047-000	WASHER-EXTERNAL LOCK #8	10
267	900261-004	RECEPTACLE- 1/4 TURN	2
268	900875-002	RING-EXTERNAL RETAINING	2
269	900958-001	NUT-RECEPTACLE RETAINING	2
270	900839-002	FASTENER-1/4 TURN PUSH BUTTON	2

ASSEMBLY "AA"

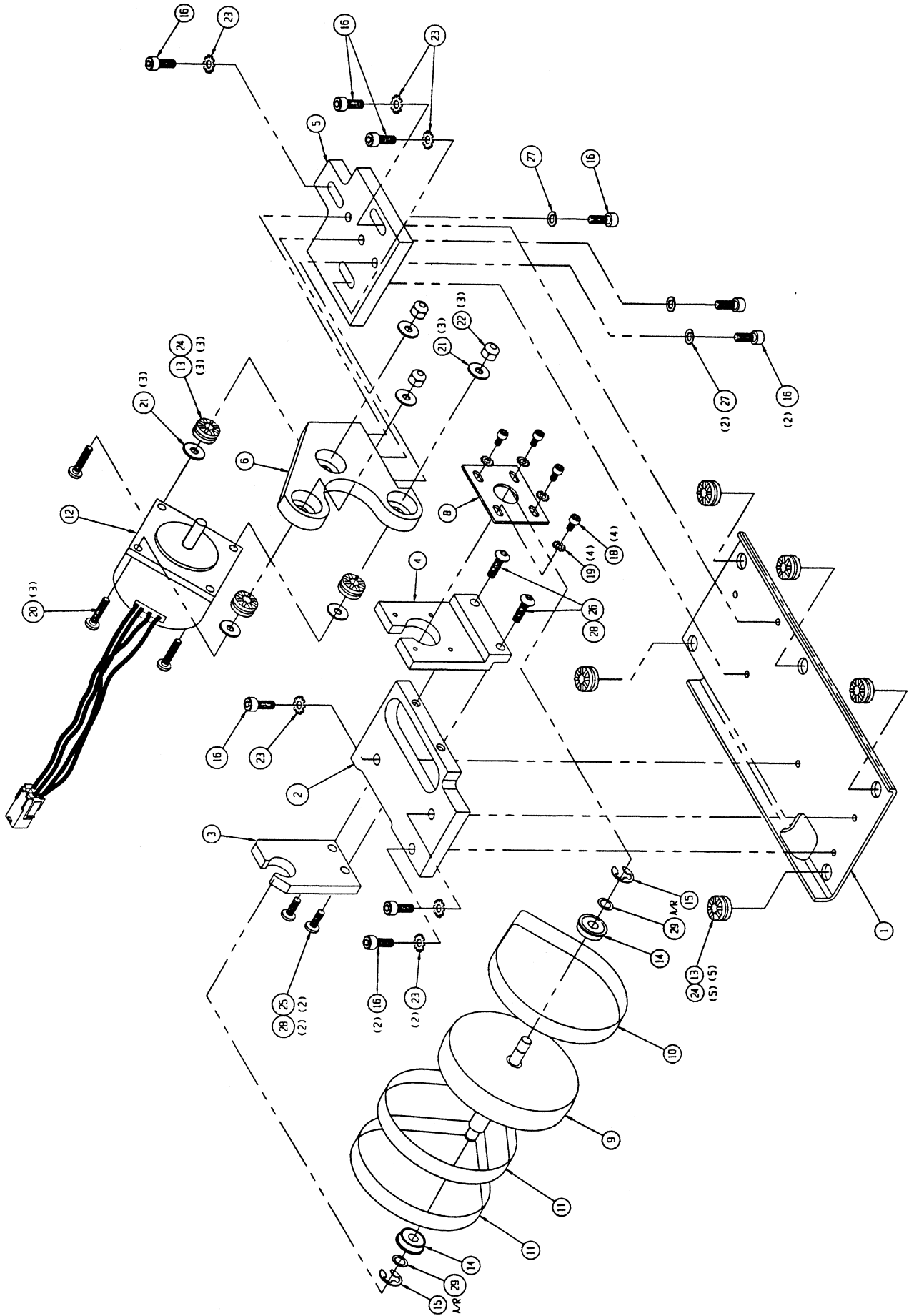
SEQN	COMPONENT	DESCRIPTION	QTY
015	901023-001	BUTTON-LOCATING ADJ.	1
031	806327-001	PLATE-MARKER LOCATING LOWER	1
265	900047-000	WASHER-EXTERNAL LOCK #8	2
276	900160-005	WASHER-FLAT STEEL #8	2
283	900224-005	SCREW, TAPTITE, PPH, 8-32 X .50	2
294	900928-003	NUT-HEX JAM 1/4 X 28	1

ASSEMBLY "BB"

SEQN	COMPONENT	DESCRIPTION	QTY
160	806360-001	BRKT-CABLE MTG	1
161	806381-001	PLATE-CLAMP	1
264	900287-003	SCREW-PAN PPH 8-32 X .38	2
265	900047-000	WASHER-EXTERNAL LOCK #8	4
276	900160-005	WASHER-FLAT STEEL #8	2
309	900287-013	SCREW-PAN PPH 8-32 X .75	2

ASSY-CAPSTAN DRIVE

Mitsubishi Silver DigiPlater 1800 Parts List



ASSY-CAPSTAN DRIVE

SEQN	COMPONENT	DESCRIPTION	QTY
001	804370-001	PLATE-DRIVE MTG	1
002	804357-001	PLATE-PULLEY MTG BASE	1
003	804356-001	PLATE-PULLEY MTG LEFT SIDE	1
004	804358-001	PLATE-PULLEY MTG RIGHT SIDE	1
005	804355-001	PLATE-MOTOR BRKT MTG	1
006	804354-001	BRKT-MOTOR MTG CAPSTAN	1
008	803391-001	CAPSTAN-DRIVE BRG ADJUST	1
009	804359-001	PULLEY-COATED CAPSTAN LOWER	1
010	900800-001	BELT-FLAT	1
011	900781-008	BELT-FLAT 11.50 X .400 X .018	2
012	804628-001	ASSY-MOTOR-STEPPING	1
013	900767-001	GROMMETS-VIBRATION ISOLATOR	8
014	900296	BEARING-BALL FLANGED SFR4LL	2
015	900229-001	E-RING, SAE, 1/4 SHAFT	2
016	900340	SCREW-SKT HD CAP UNIF 10-32 X 1/2	3
018	900235-013	SCREW-SHC 6-32 X .25	4
019	900047-002	WASHER-EXTERNAL LOCK #6	4
020	900287-013	SCREW-PAN PPH 8-32 X .75	3
021	900160-005	WASHER-FLAT STEEL #8	6
022	900336-001	NUT-SELF LOCKING HEX 8-32 UNC 3B	3
023	900047-003	WASHER-EXTERNAL LOCK #10	6
024	900652-014	SPACER-ROUND #8 X 1/4	8
025	900288-000	SCREW-PPH 10-32 UNF X 1/2	2
026	900445	SCREW, B.H. TORX 10-32 X .625	2
027	900223-005	WASHER-LOCK HELICAL SPRING #10 REG.	3
028	900016-000	LOCKTITE-SMALL SCREW	0
029	900226-004	SPACER-SHAFT SS3-5	0
030	900340-003	SCREW-SKT HD CAP UNIT 10-32 X 3/4	6
031	900160-006	WASHER-FLAT STEEL #10	3

ASSY-MOTOR MOUNT

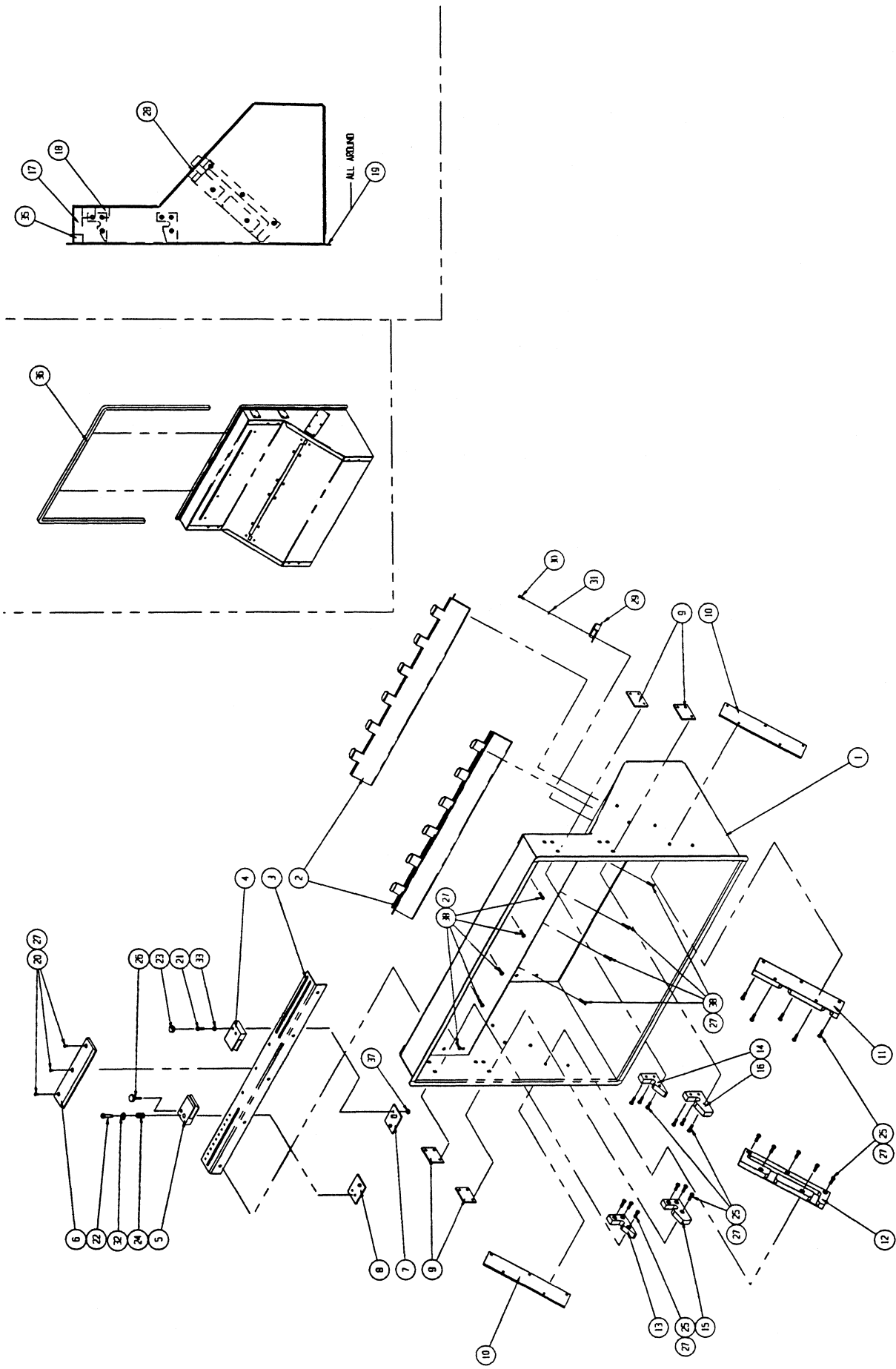
SEQN	COMPONENT	DESCRIPTION	QTY
001	806098-002	ASSY-MOTOR TAKEUP DRIVE	1
002	803665-001	BRKT-MOTOR MOUNT	1
003	806199-001	PULLEY-MOD.	1
004	900767-001	GROMMETS-VIBRATION ISOLATOR	8
005	900652-014	SPACER-ROUND #8 X 1/4	4
006	900287-016	SCREW-PAN PPH 6-32 X 1.00	4
007	900160-004	WASHER-FLAT STEEL #6	8
008	900336-000	NUT-SELF LOCKING HEX 6-32 UNC 3B	4
011	803139	BRKT-STEPPER MASS	1
012	803140-001	BLOCK MASS .80	2
012	803140	BLOCK MASS .93 (PHO/803140-001)	2
013	900237-000	SCREW-SOCKET FLT HD UNC 6-32 X 3/8	4
014	900160-011	WASHER-FLAT STEEL # 6, NARROW	4
016	900235-013	SCREW-SHC 6-32 X .25	2
017	900016-000	LOCKTITE-SMALL SCREW	0

ASSY-CAPSTAN GUIDE

SEQN	COMPONENT	DESCRIPTION	QTY
001	806320-001	GUIDE-STATIONARY CAPSTAN	1
002	806323-001	APERTURE-CAPSTAN	1
003	806324-001	LINK-CAPSTAN	1
004	806099-002	ASSY-SOLENOID-CAPSTAN GUIDE	1
008	806325-001	BRKT-CAPSTAN SHUTTER(PHO/806412)	1
008	806411-001	BRKT-CAPSTAN GUIDE	1
009	806325-002	BRKT-CAPSTAN SHUTTER(PHO/806412)	1
009	806411-002	BRKT-CAPSTAN GUIDE	1
010	806317-001	BRKT-CAPSTAN GUIDE (PHO/806411)	1
010	806412-001	BRKT-CAPSTAN SHUTTER	1
011	806317-002	BRKT-CAPSTAN GUIDE (PHO/806411)	1
011	806412-002	BRKT-CAPSTAN SHUTTER	1
012	900236	SCREW-SOCKET HD SHLD 8-32 X .188	2
013	900871-001	SCREW-SHC LOW HEAD 6-32 X .38	6
014	900047-002	WASHER-EXTERNAL LOCK #6	8
015	900236-008	SCREW-SOCKET HD SHLD 8-32 X .2505	1
016	900236-003	SCREW-SOCKET HD SHLD 8-32X1/8X5/16	1
017	806283-001	ASSY-CAPSTAN LIGHT SEAL 18"	1
018	806517-001	SPRING-CAPSTAN GUIDE	1
019	900277-026	SPRING-COMPRESSION .250 X.240X.020	1
020	900233-003	NUT-LOCK K #8-32	3
021	900871-007	SCREW-SHC LOW HEAD 6-32 X .250	2
022	901094-001	LUBRICANT-W/TEFLON	0
023	900016-000	LOCKTITE-SMALL SCREW	0
024	900230-005	BEARING-NYLON SNAP-IN .188 SHAFT	3

ASSY-CASSETTE SHROUD

Mitsubishi Silver DigiPlater 1800 Parts List

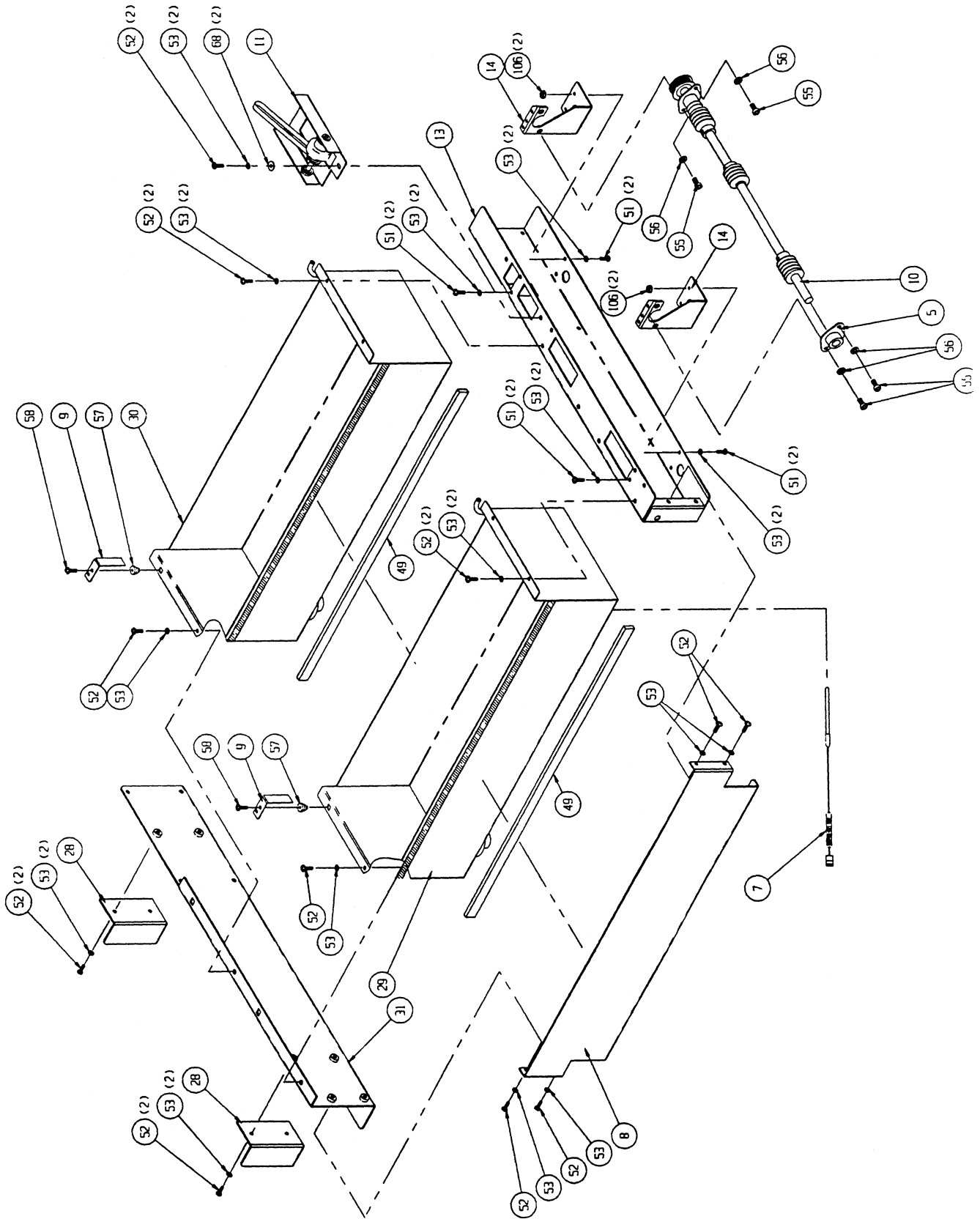


ASSY-CASSETTE SHROUD

SEQN	COMPONENT	DESCRIPTION	QTY
001	806250-001	SHROUD FAB (PHO/806479-001)	1
001	806479-001	SHROUD-FAB	1
002	806329-001	GUIDE-CASSETTE-LOWER	2
003	806353-001	BRKT-INPUT MEDIA ALIGNMENT	1
004	806350-002	BLOCK-ADJUST EDGE GUIDE	1
005	806351-002	BLOCK-POSITIONING EDGE GUIDE	1
006	806355-001	BRIDGE-INPUT	1
007	806352-002	PLATE-ADJUST BLOCK BACKUP	1
008	806354-002	PLATE-POSITIONING BLOCK BACKUP	1
009	806321-001	PLATE-BLOCK-LOCATING	4
010	806334-001	PLATE-NUT-GUIDE	2
011	806335-001	GUIDE-LOWER-R.H.	1
012	806335-002	GUIDE-LOWER-L.H.	1
013	806318-001	BLOCK-LOCATING-UPPER	1
014	806318-002	BLOCK-LOCATING-UPPER	1
015	806319-001	BLOCK-LOCATING-LOWER	1
016	806319-002	BLOCK-LOCATING-LOWER	1
017	806386-003	FOAM-LIGHTSEAL SDP CASSETTE	1
018	806386-002	FOAM-LIGHTSEAL SDP CASSETTE	1
019	900774-007	SEAL-EMI .125 X .250	7.2
020	900237-000	SCREW-SOCKET FLT HD UNC 6-32 X 3/8	3
021	900235-003	SCREW-SHC 8-32 X 1.00	1
022	900236-005	SCREW-SOCKET HD SHLD 8-32 X .6255	1
023	900566-003	KNOB-KNURLED SHC #8	1
024	900277-004	SPRING-COMPRESSION .750X.360X.042	1
025	900871-006	SCREW-SHC LOW HEAD 8-32 X .5	22
026	900963-002	PLUNGER-SPRING LOADED	1
027	900016-000	LOCTITE-SMALL SCREW	0
028	804563-001	LIGHTSEAL-SDP-1800	1
029	806406-001	COVER-LATCH CASSETTE	2
030	900287-001	SCREW-PAN PPH 6-32 X .25	4
031	900047-002	WASHER-EXTERNAL LOCK #6	4
032	900160-012	WASHER-FLAT STEEL #8 NARROW	1
033	900039-001	SPACER .171 ID, .25 OD, .25 HT	1
034	806417-002	LABEL-PLATE GUIDE POSITIONING	1
035	900774-004	SEAL-EMI .669 X .669	2
036	900214-004	TAPE-FOAM SINGLE COATED 4317 X .5	0
037	900336-001	NUT-SELF LOCKING HEX 8-32 UNC 3B	1
038	900362-003	SCREW- BUTTON HD SCKT, 8-32 X 3/8	13

Mitsubishi Silver DigiPlater 1800 Parts List

ASSY-SDP PROCESSOR

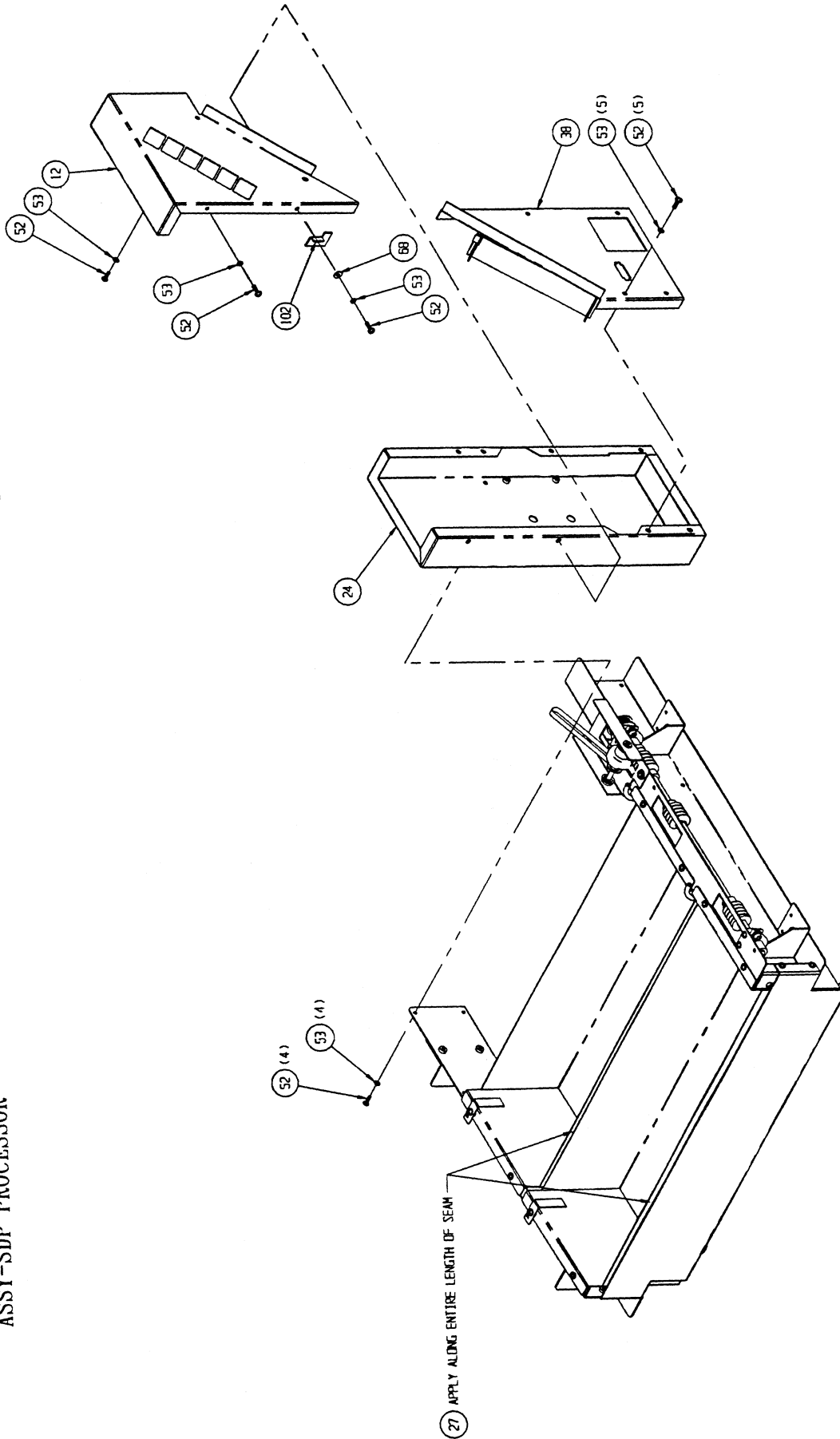


ASSY-SDP PROCESSOR SHEET.1

SEQN	COMPONENT	DESCRIPTION	QTY
005	806824-001	FLANGE-BEARING MOD.	1
007	900960-032	ASSY-TEMP PROP ACT.	1
008	900960-170	FRAME-FRONT	1
009	900960-171	SENSOR-LEVEL	2
010	900960-172	ASSY-DRIVE SHAFT	1
011	900960-173	ASSY-DRYER DRIVE	1
013	900960-175	RAIL-RIGHT	1
014	900960-176	GUSSET-RAIL DRIVE	2
028	900960-185	GUSSET-RAIL LEFT	2
029	900960-186	ASSY-ACTIVATOR TANK	1
030	900960-187	ASSY-STABILIZER TANK	1
031	900960-188	RAIL-LEFT	1
049	900214-004	TAPE-FOAM SINGLE COATED 4317 X .5	0
051	901089-004	SCREW-STNLSS TAP/FORM 10-32 X .50	8
052	900967-003	SCREW-STAINLESS 10-24 X .375 PPH	16
053	901072-005	WASHER-SPR LK STNLES	24
055	900967-006	SCREW-STAINLESS 1/4-20 X .500	4
056	901072-006	WASHER-SPR LK STNLES	4
057	901092-001	GROMMET-SCREW	2
058	901089-003	SCREW-STNLSS TAP/FORM 10-16 X .75	2
068	901071-012	WASHER-FLT STNLS	2
106	900968-006	NUT-STAINLESS 10-32 KEPS LOCKNUT	4

Mitsubishi Silver DigiPlater 1800 Parts List

ASSY-SDP PROCESSOR

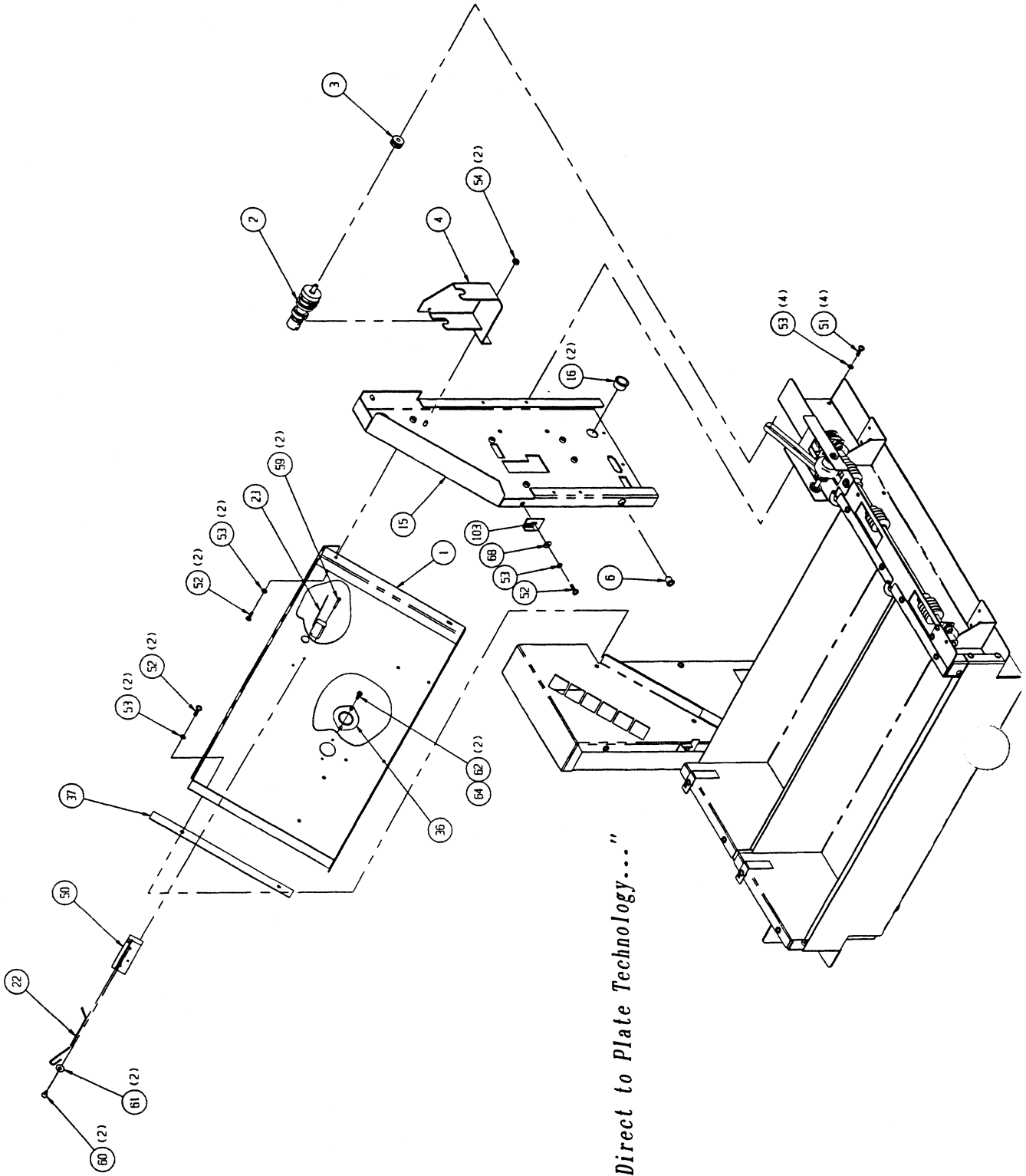


ASSY-SDP PROCESSOR SHEET.2

SEQN	COMPONENT	DESCRIPTION	QTY
012	900960-174	SUPPORT-UPPER DUCT	1
024	900960-183	DUCT-VERTICAL	1
027	900060-001	ADHESIVE-RTV CLEAR 6808	0
038	900960-192	ASSY-HEATER COVER	1
052	900967-003	SCREW-STAINLESS 10-24 X .375 PPH	12
053	901072-005	WASHER-SPR LK STNLES	12
068	901071-012	WASHER-FLT STNLS	1
102	806410-002	BRKT-PROC. HEATER HEIGHT ADJ.	1

Mitsubishi Silver DigiPlater 1800 Parts List

ASSY-SDP PROCESSOR



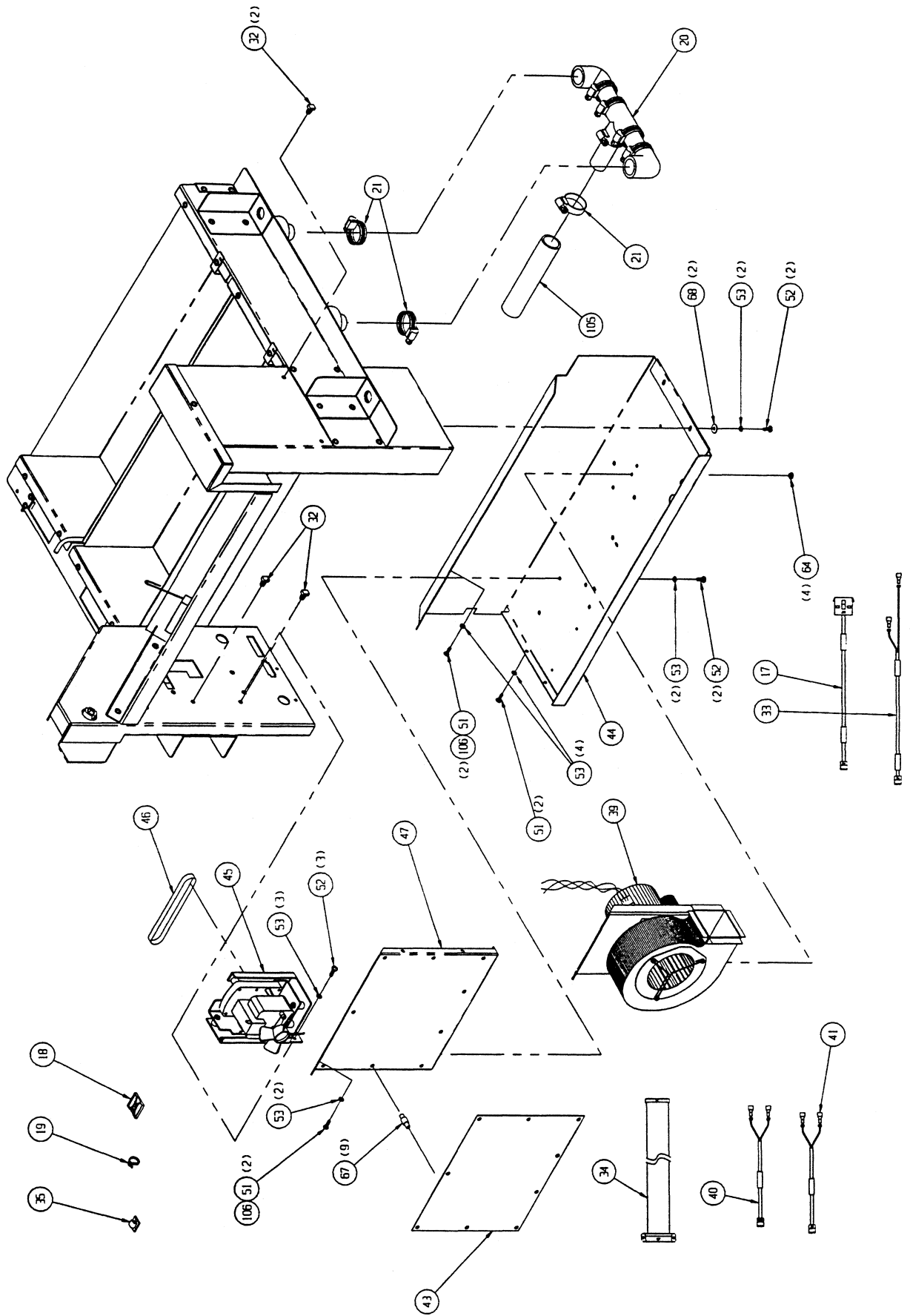
"Leaders in Direct to Plate Technology..."

ASSY-SDP PROCESSOR SHEET.3

SEQN	COMPONENT	DESCRIPTION	QTY
001	900960-166	PANEL-SUPPORT RACK	1
002	900960-167	ASSY-CLUTCH SHAFT	1
003	900960-005	BEARING-ROLLER	1
004	900960-168	BRKT-CLUTCH	1
006	900289-003	BUSHING-GROMMET	1
015	900960-177	FRAME-DRIVE DRYER	1
016	900289-004	BUSHING-GROMMET	2
022	900960-182	SWITCH-WIRE FORM	1
023	600333-001	SWITCH-SNAP LEVER	1
036	600330-001	SENSOR-THERMISTOR DISK	1
037	806831-001	SHIM-SUPPORT RACK PROC	1
050	900960-199	BLOCK-SUPPORT SWITCH	1
051	901089-004	SCREW-STNLSS TAP/FORM 10-32 X .50	4
052	900967-003	SCREW-STAINLESS 10-24 X .375 PPH	5
053	901072-005	WASHER-SPR LK STNLES	9
054	900968-005	NUT-STAINLESS 10-24 KEPS LOCKNUT	2
059	900967-007	SCREW-STAINLESS 4-40 X .625	2
060	900967-001	SCREW-STAINLESS 8-32 X .375 PPH	5
061	901071-010	WASHER-FLT STNLS #8 3/8X11/64X.031	2
062	901089-006	SCREW-STNLSS TAP/FORM 8032 X .50	2
064	900968-001	NUT-STAINLESS 8-32 KEPS LOCKNUT	2
068	901071-012	WASHER-FLT STNLS	1
103	806410-001	BRKT-PROC. HEATER HEIGHT ADJ.	1

Mitsubishi Silver DigiPlater 1800 Parts List

ASSY-SDP PROCESSOR

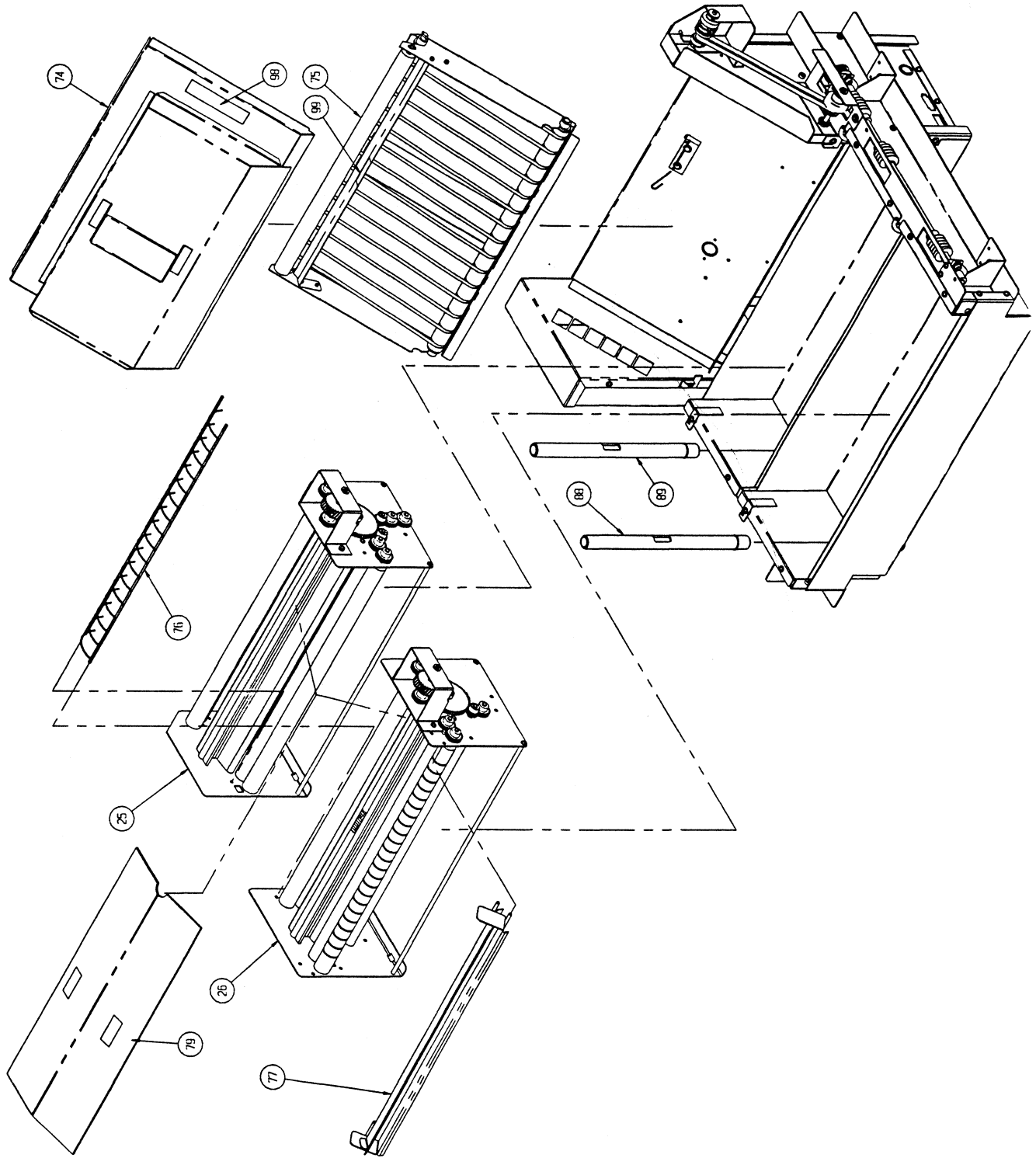


ASSY-SDP PROCESSOR SHEET.4

SEQN	COMPONENT	DESCRIPTION	QTY
017	900960-065	ASSY-CABLE P3 TP J14	1
018	900338-001	MOUNT-TIE	A/R
019	900053-002	TIE-MOUNT	A/R
020	900960-181	ASSY-DRAIN	1
021	900302-006	CLAMP-HOSE 3/4 - 1 3/4	3
032	900338-002	MOUNT-TIE	A/R
033	900960-067	ASSY-CABLE ACT/STAB LEVEL	1
034	900960-069	ASSY-CABLE INTERFACE	1
035	900040-003	CLIP-CORD ADHESIVE	A/R
039	900960-193	ASSY-HEATER BLOWER	1
040	900960-068	ASSY-CABLE DRYER TEMP PROBE	1
041	900960-064	ASSY-CABLE FILM SWITCH	1
043	900960-031	PCA-DIGIPLATE PROCESSOR	1
044	900960-194	ASSY-ELECTRICAL PANEL	1
045	900960-195	ASSY-DRIVER MOTOR	1
046	900271-003	BELT-TIMING 1/5 PITCH 60 GROOVES	1
047	900960-196	PANEL-PCA BOARD	1
051	901089-004	SCREW-STNLSS TAP/FORM 10-32 X .50	6
052	900967-003	SCREW-STAINLESS 10-24 X .375 PPH	7
053	901072-005	WASHER-SPR LK STNLES	13
064	900968-001	NUT-STAINLESS 8-32 KEPS LOCKNUT	4
067	901091-001	STANDOFF-TURN	9
068	901071-012	WASHER-FLT STNLS	2
105	901100-002	TUBING	6 FT
106	900968-006	NUT-STAINLESS 10-32 KEPS LOCKNUT	4

Mitsubishi Silver DigiPlater 1800 Parts List

ASSY-SDP PROCESSOR

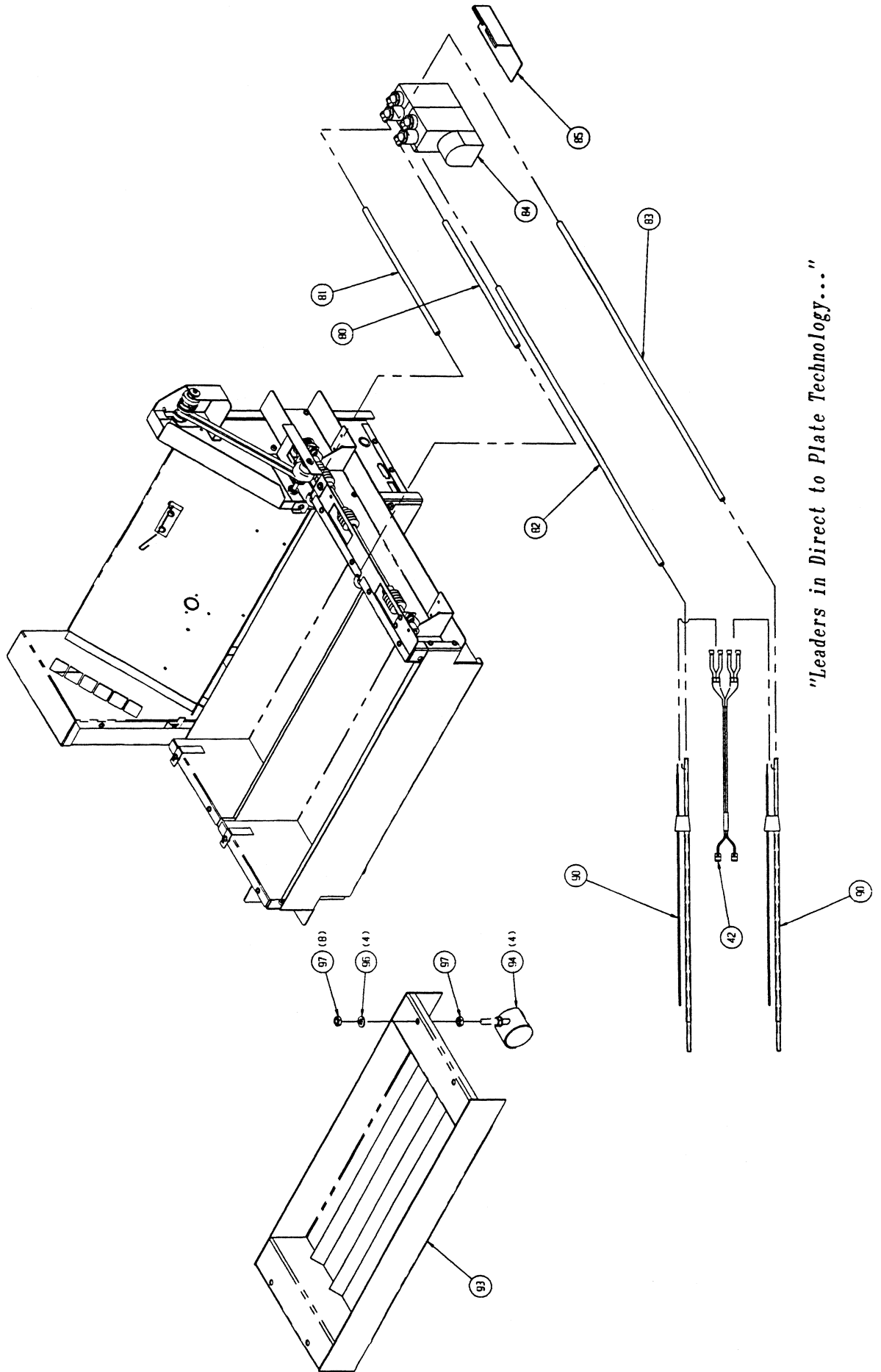


ASSY-SDP PROCESSOR SHEET.5

SEQN	COMPONENT	DESCRIPTION	QTY
025	900960-034	ASSY-STABILIZER TRANSPORT	1
026	900960-035	ASSY-ACTIVATOR TRANSPORT	1
074	900960-223	HOOD-AIR WELDMENT	1
075	900960-224	ASSY-DRYER TRANSPORT	1
076	900960-186	ASSY-CROSSOVER GUIDE	1
077	900960-141	ASSY-ENTRANCE GUIDE	1
079	900960-227	ASSY-RACK COVER	1
088	900960-233	ASSY-TUBE OVERFLOW	1
089	900960-234	ASSY-TUBE OVERFLOW	1
098	806467-001	LABEL-SDP 1800 PROCESSOR	1
099	806467-002	LABEL-SDP 1800 PROCESSOR	1

Mitsubishi Silver DigiPlater 1800 Parts List

ASSY-SDP PROCESSOR

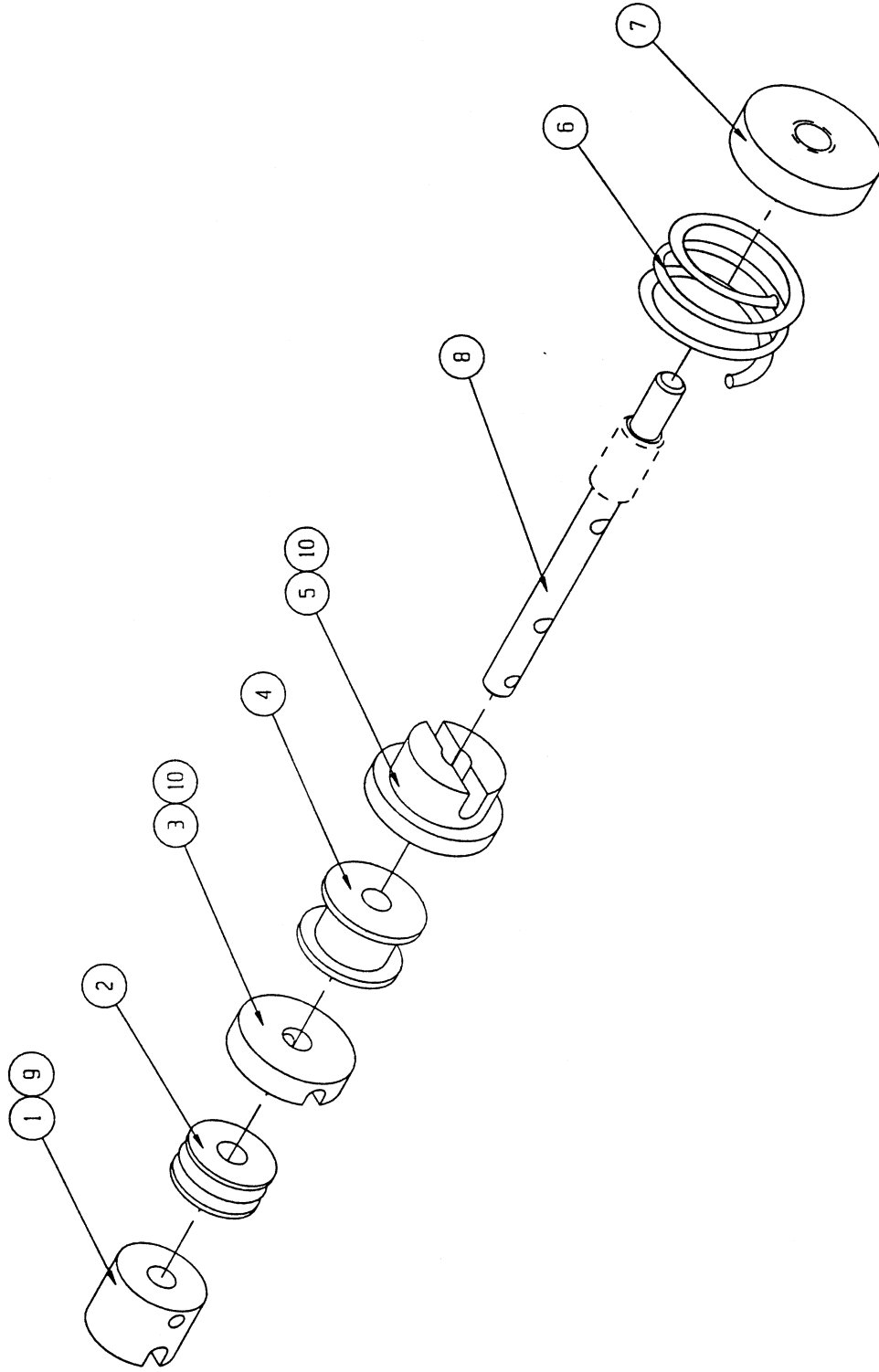


"Leaders in Direct to Plate Technology..."

ASSY-SDP PROCESSOR SHEET.6

SEQN	COMPONENT	DESCRIPTION	QTY
042	900960-066	ASSY-CABLE	1
080	900960-228	ASSY-ACT. TUBE SHORT	1
081	900960-229	ASSY-STAB. TUBE SHORT	1
082	900960-230	ASSY-ACT. TUBE LONG	1
083	900960-231	ASSY-STAB. TUBE LONG	1
093	806395-001	CART-SMALL SDP	1
094	900832-002	CASTER-TWIN WHEEL W/O BRAKE	4
096	900223-006	WASHER-LOCK HELICAL SPRING 3/8 REG.	4
097	900222-007	NUT, HEX, UNC 3/8-16	8

ASSY-CLUTCH SHAFT

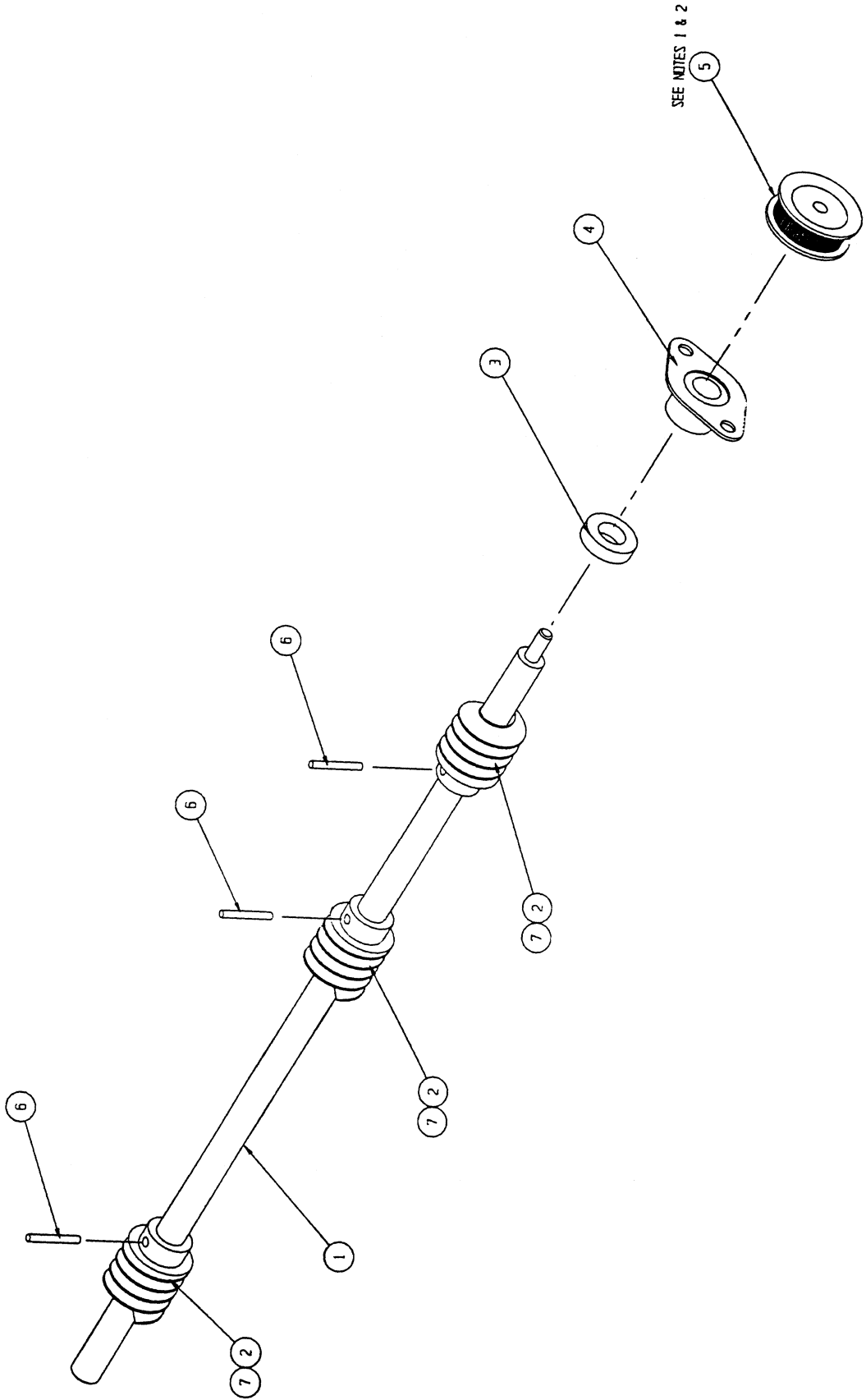


ASSY-CLUTCH SHAFT

SEQN	COMPONENT	DESCRIPTION	QTY
001	900960-078	COUPLING-DRIVE RACK	1
002	900960-005	BEARING-ROLLER	1
003	900960-039	IDLER-CLUTCH	1
004	900268-006	PULLEY-TIMING BELT 1/5 PITCH	1
005	900960-040	IDLER-SPRING	1
006	900277-025	SPRING-COMPRESSION 1.000X1.095X.120	1
007	900960-081	STOP-SPRING	1
008	900960-082	SHAFT-CLUTCH	1
009	900728-006	PIN-GROOVED 1/8 X 7/8	1
010	901079-001	PIN-SPIRAL	2

ASSY-DRIVE SHAFT

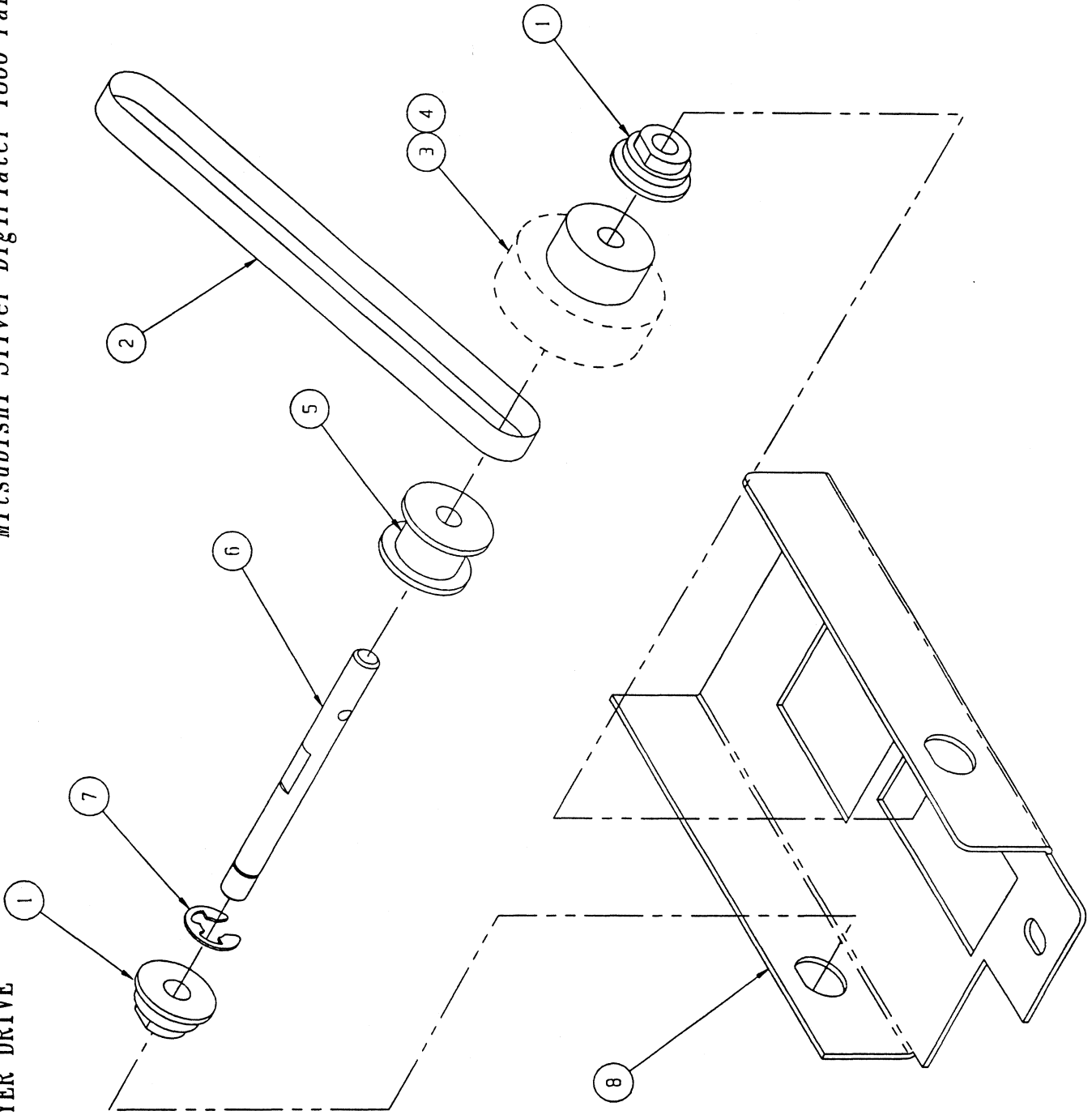
Mitsubishi Silver DigiPlater 1800 Parts List



ASSY-DRIVE SHAFT

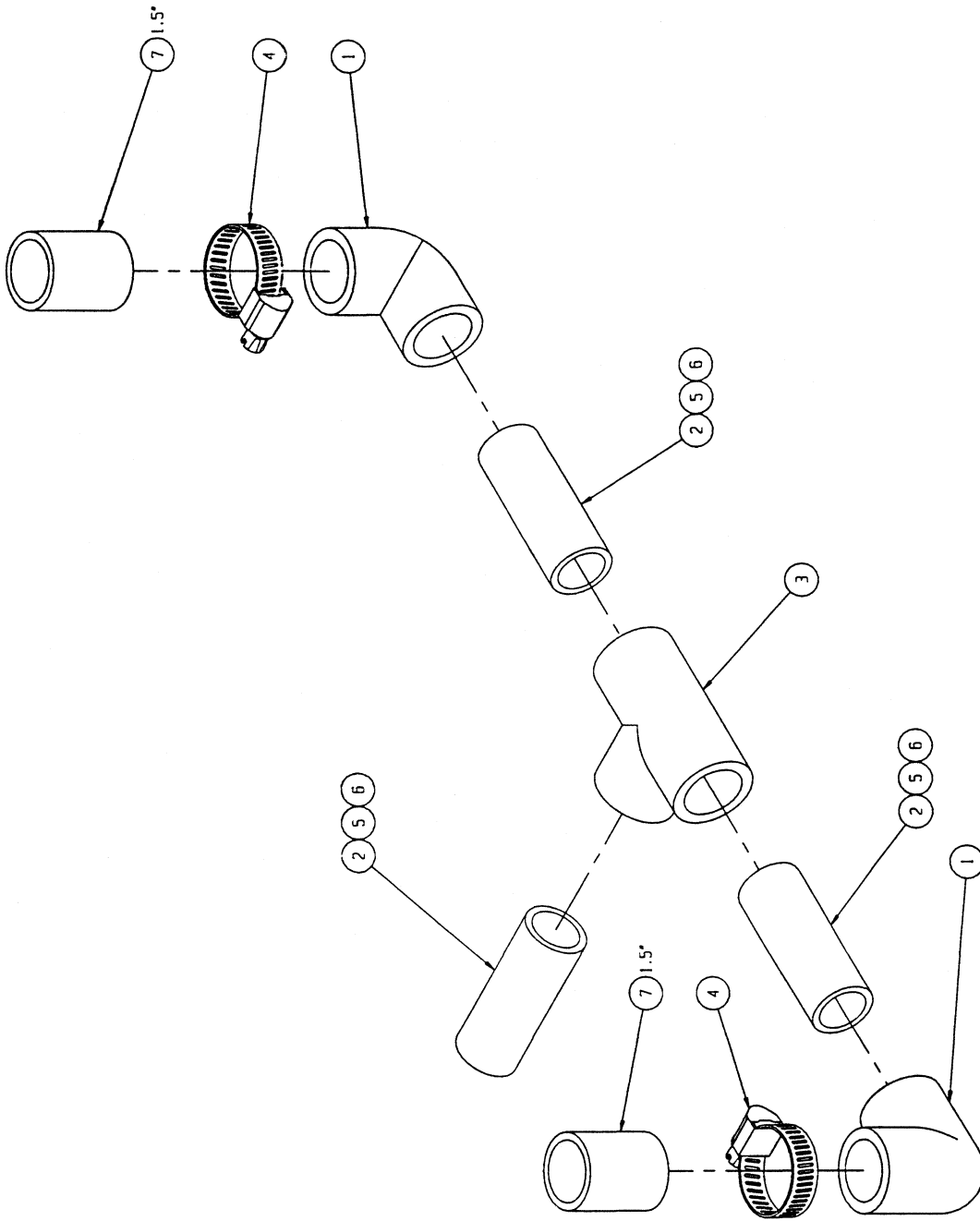
SEQN	COMPONENT	DESCRIPTION	QTY
001	900960-071	SHAFT-DRIVE	1
002	900960-019	GEAR-WORM	3
003	901090-001	BEARING-THRUST	1
004	806824-001	FLANGE-BEARING MOD.	1
005	900268-005	PULLEY-TIMING BELT 1/5 PITCH	1
006	901079-001	PIN-SPIRAL	3
007	900087-002	LUB, SYNTHETIC, SHC460, 14.5 OZ	0

ASSY-DRYER DRIVE



ASSY-DRYER DRIVE

SEQN	COMPONENT	DECSRIPTION	QTY
001	900960-004	BEARING-ROLLER	2
002	900271-004	BELT-TIMING 1/5 PITCH 100 GROOVES	1
003	900960-002	GEAR-WORM SINGLE	1
004	900582-007	PIN-DOWEL SST .1250 DIA X .625 LG	1
005	900268-008	PULLEY-TIMING BELT 1/5 PITCH	1
006	900960-087	SHAFT-DRIVE BELT	1
007	900229-017	E-RING SAE .250 SHAFT	1
008	900960-088	CHANNEL-DRIVE DRYER	1

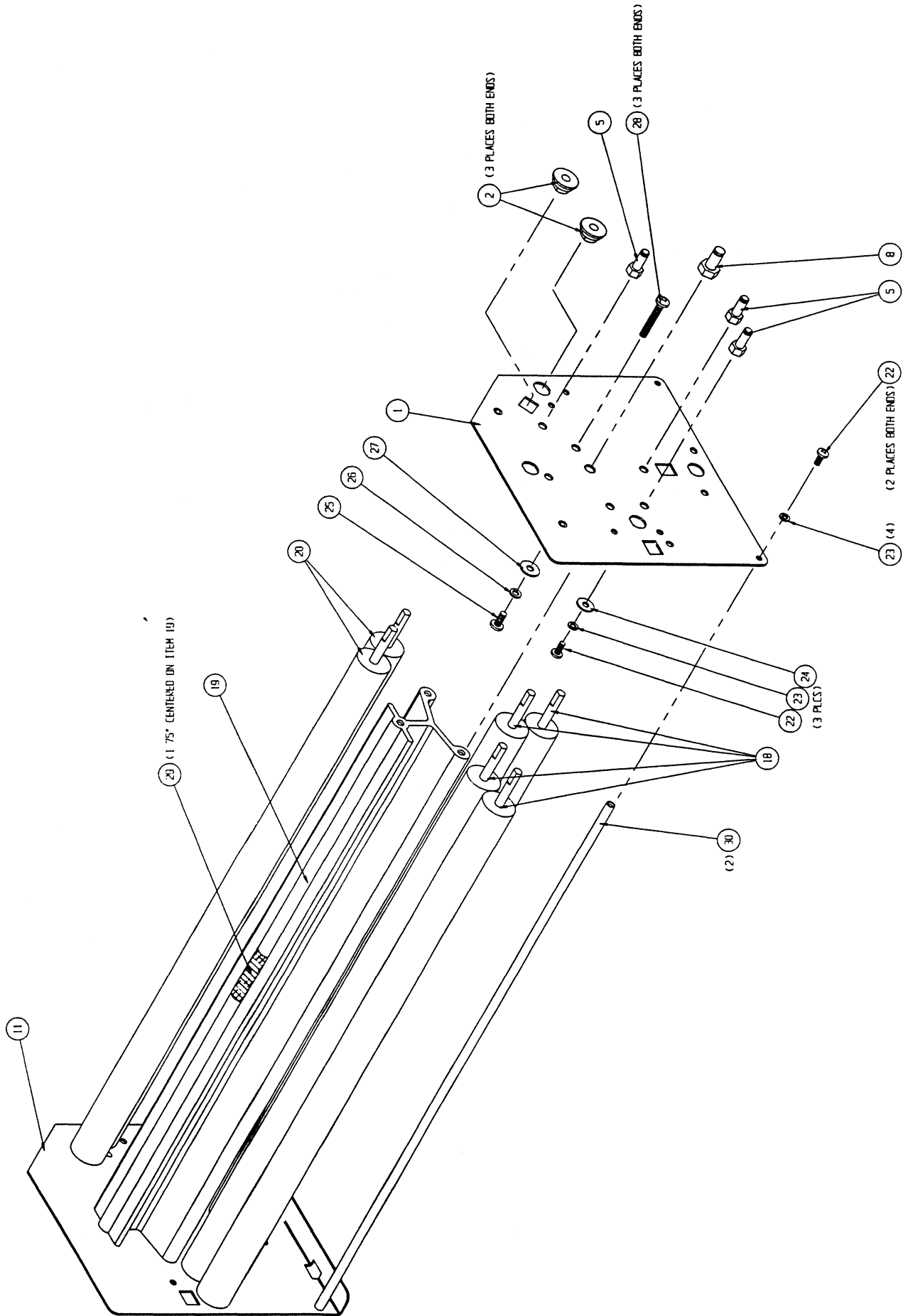


ASSY-DRAIN

SEQN	COMPONENT	DESCRIPTION	QTY
001	900960-052	ELBOW-90	2
001	901119-001	FITTING-PVC PIP ELBOW (90 DEGREE)	2
002	900960-089	PIPE-PVC	3
003	900960-057	TEE	1
003	901119-002	FITTING-PVC PIPE TEE 3/4"	1
004	900302-006	CLAMP-HOSE 3/4 - 1 3/4	5
005	901082-001	ADHESIVE-PLASTIC PIPE	0
006	901085-001	CLEANER-PLASTIC PIPE	0
007	901100-002	TUBING-POLYVINYL CHLORIDE 1 1/4 X 1	0.25

Mitsubishi Silver DigiPlater 1800 Parts List

ASSY-STABILIZER TRANSPORT

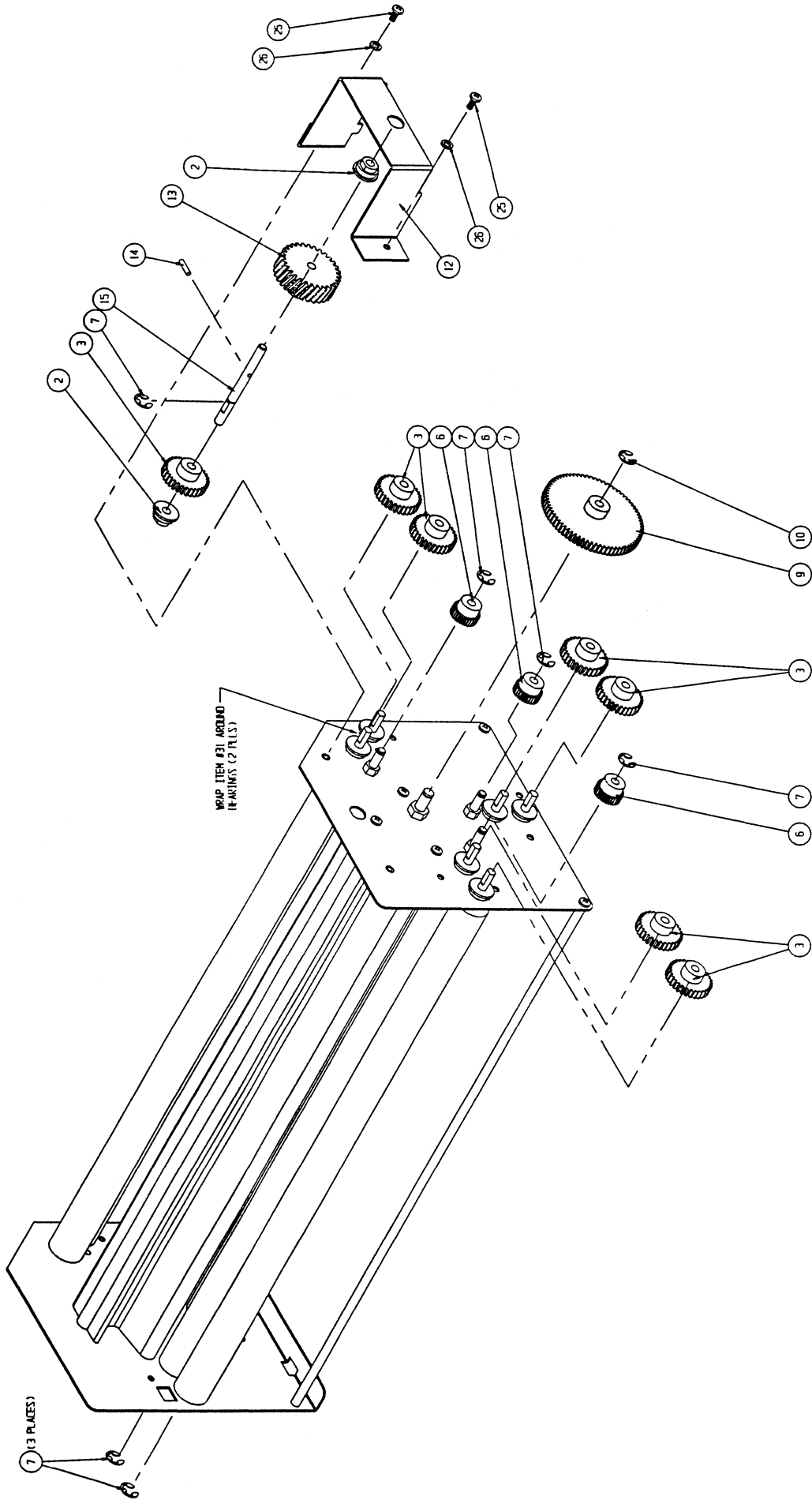


ASSY-STABILIZER TRANSPORT SHEET.1

SEQN	COMPONENT	DESCRIPTION	QTY
001	900960-106	PLATE-STABILIZER RIGHT	1
002	900960-004	BEARING-ROLLER	12
005	900960-091	SHAFT-IDLER	3
008	900960-092	STUD-GEAR	1
011	900960-109	PLATE-STABILIZER LEFT	1
018	900960-025	ROLLER-TRANSPORT	4
019	900960-097	HANDLE-RACK	1
020	900960-024	ROLLER-SQUEEGEE	2
022	900967-001	SCREW-STAINLESS 8-32 X .375 PPH	7
023	901072-004	WASHER-SPR LK STNLES #8 .055X.040	7
024	901071-010	WASHER-FLT STNLS #8 3/8X11/64X.031	3
025	900967-003	SCREW-STAINLESS 10-24 X .375 PPH	1
026	901072-005	WASHER-SPR LK STNLES	1
027	901071-012	WASHER-FLT STNLS	1
028	901089-001	SCREW-STNLSS TAP/FORM 10-24 X 1.00	6
029	900090-005	TAPE-VINYL RED 3/4" WIDE	0
030	806822-001	ROD-SUPPORT 19.67	2

ASSY-STABILIZER TRANSPORT

Mitsubishi Silver DigiPlater 1800 Parts List



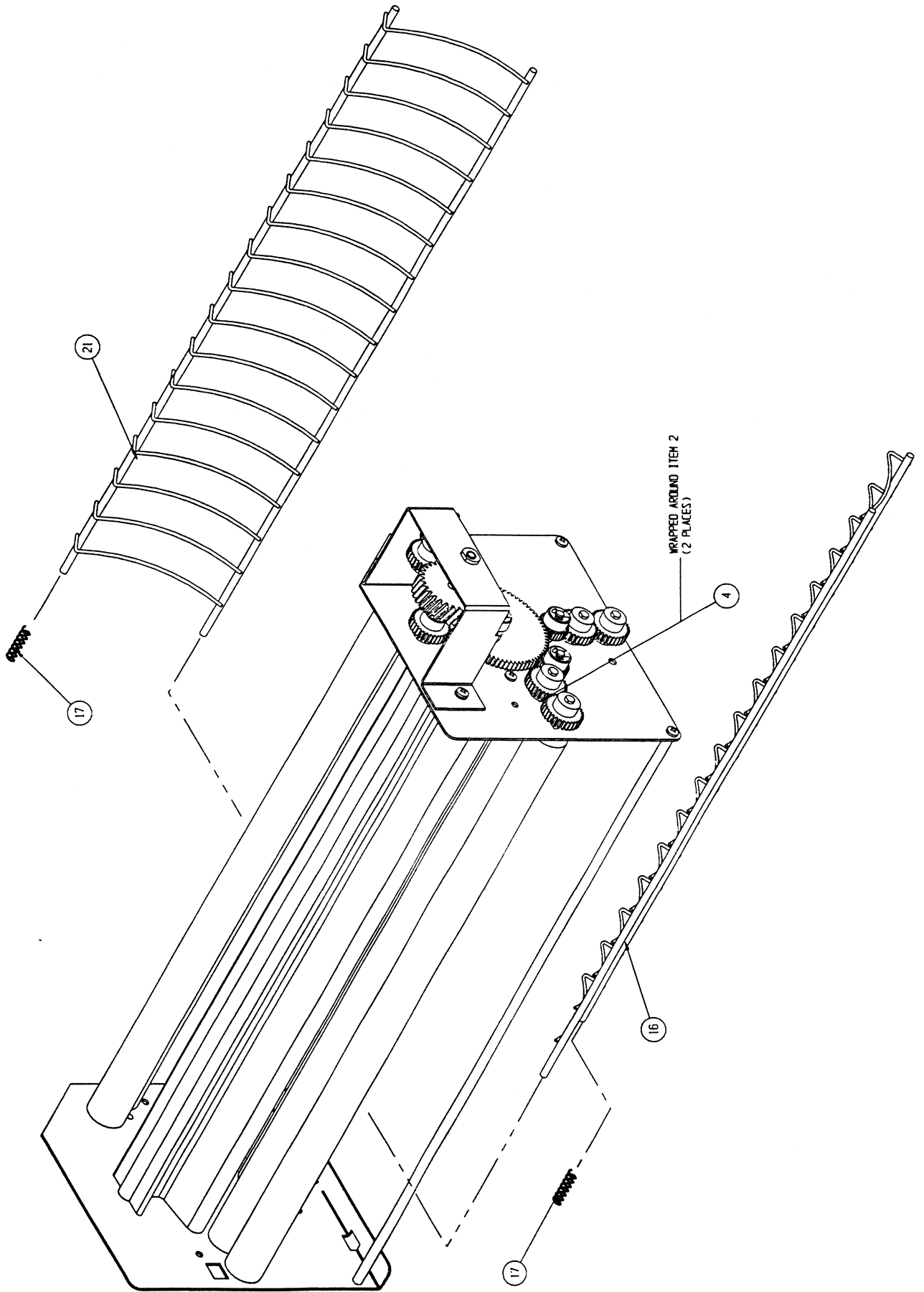
"Leaders in Direct to Plate Technology..."

ASSY-STABILIZER TRANSPORT SHEET.2

SEQN	COMPONENT	DESCRIPTION	QTY
002	900960-004	BEARING-ROLLER	2
003	900960-003	GEAR-ASSY GEAR	7
006	900960-001	GEAR-SPUR	3
007	900229-017	E-RING SAE .250 SHAFT	10
009	900960-020	GEAR-SPUR	1
010	900229-018	E-RING SAE .312 SHAFT	1
012	900960-094	BRKT-DRIVE RACK	1
013	900960-002	GEAR-WORM SINGLE	1
014	900582-007	PIN-DOWEL SST .1250 DIA X .625 LG	1
015	900960-096	SHAFT-DRIVE RACK	1
025	900967-003	SCREW-STAINLESS 10-24 X .375 PPH	2
026	901072-005	WASHER-SPR LK STNLES	2
031	806694-002	SPRING-EXTENSION (.028)	2

ASSY-STABILIZER TRANSPORT

Mitsubishi Silver DigiPlater 1800 Parts List

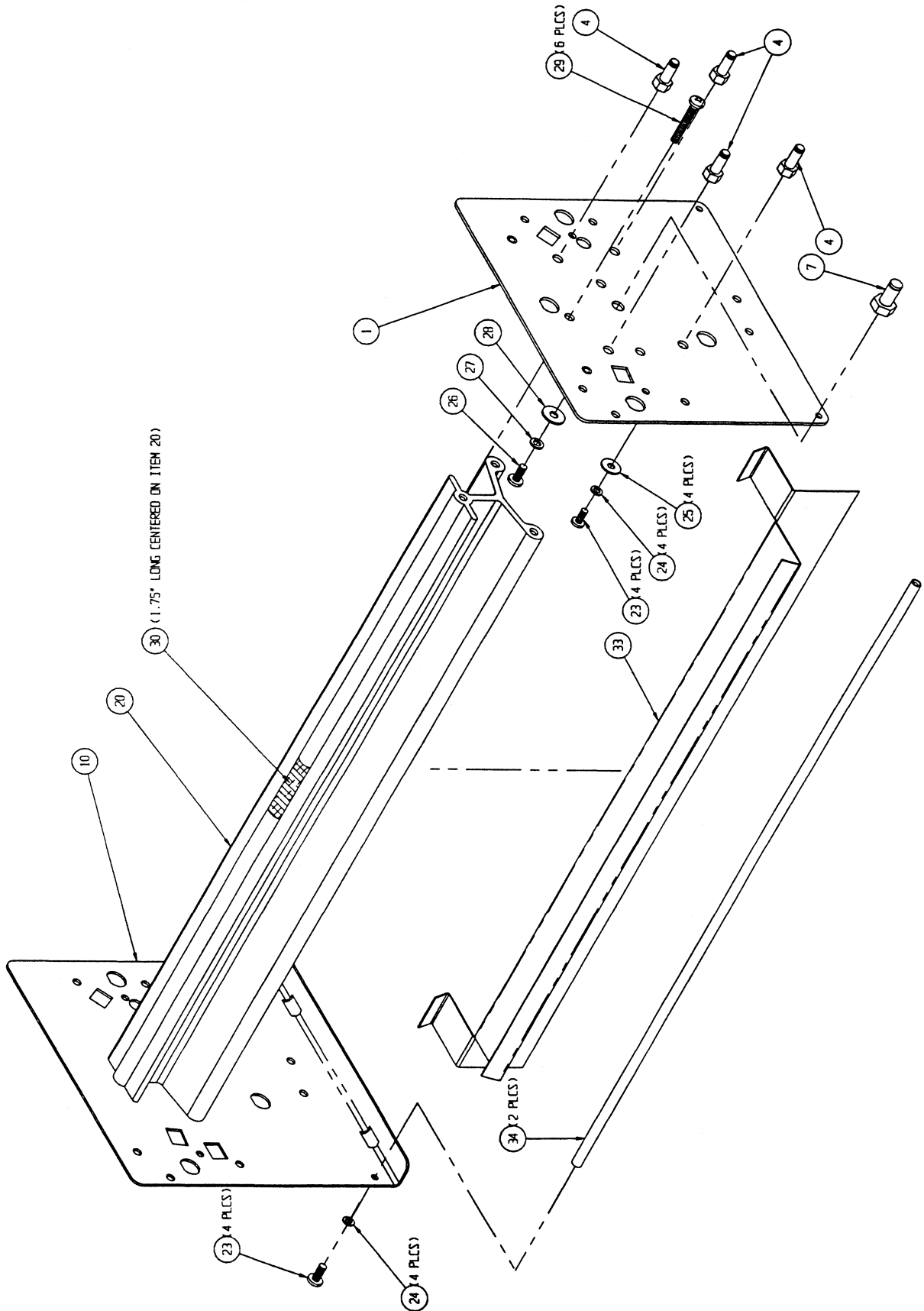


ASSY-STABILIZER TRANSPORT SHEET.3

SEQN	COMPONENT	DESCRIPTION	QTY
004	900960-013	SPRING-EXTENSION (.022)	2
016	900960-045	GUIDE-ENTRANCE STABILIZER	1
017	900960-014	SPRING-GUIDE	2
021	900960-044	GUIDE-TANK EXIT	1

ASSY-ACTIVATOR TRANSPORT

Mitsubishi Silver DigiPlater 1800 Parts List

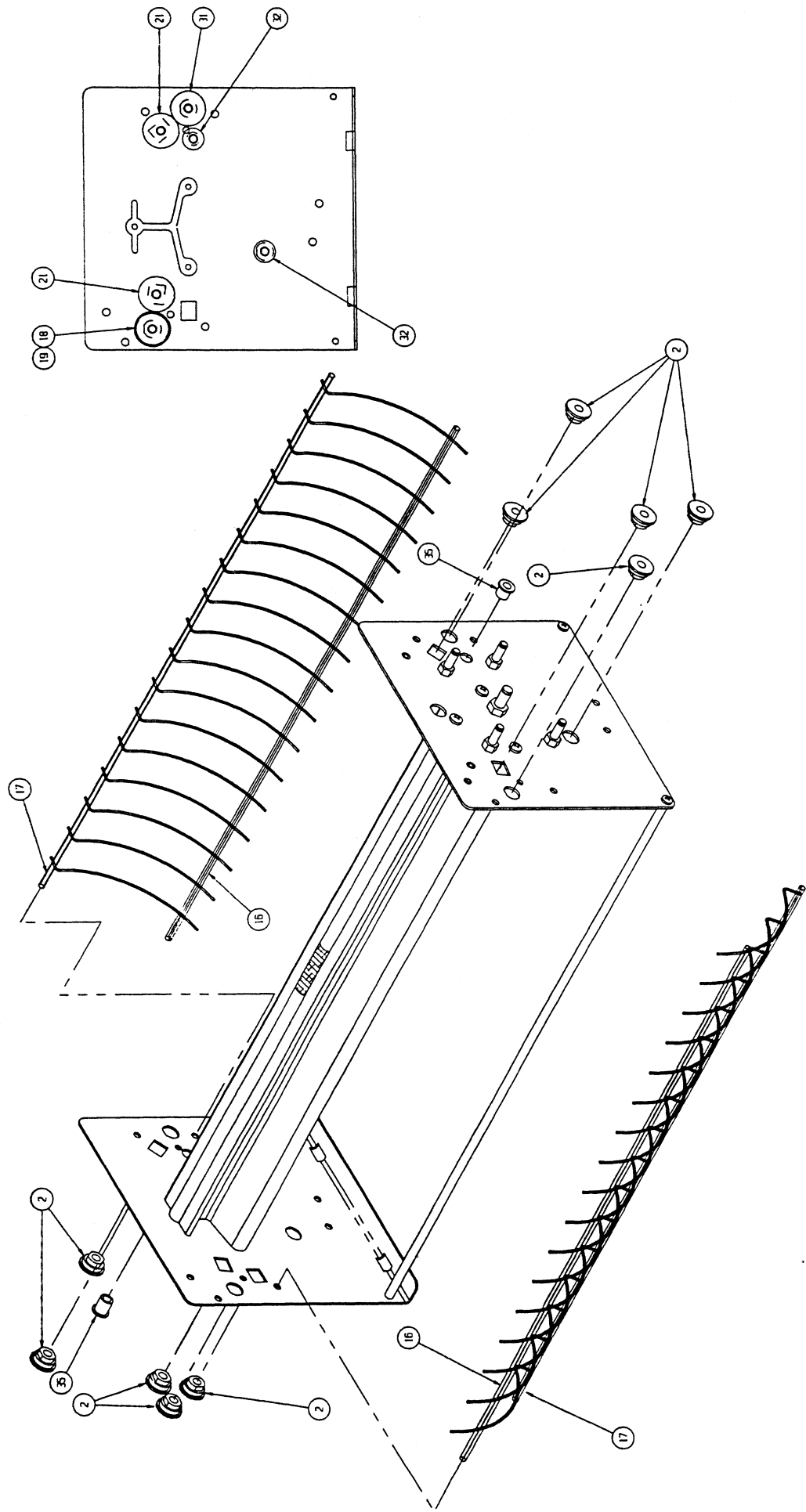


ASSY-ACTIVATOR TRANSPORT SHEET.1

SEQN	COMPONENT	DESCRIPTION	QTY
001	806812-001	PLATE-ACTIVATOR RIGHT	1
004	900960-091	SHAFT-IDLER	4
007	900960-092	STUD-GEAR	1
010	806814-001	PLATE-ACTIVATOR LEFT	1
020	900960-097	HANDLE-RACK	1
023	900967-001	SCREW-STAINLESS 8-32 X .375 PPH	8
024	901072-004	WASHER-SPR LK STNLES #8 .055X.040	8
025	901071-010	WASHER-FLT STNLS #8 3/8X11/64X.031	4
026	900967-003	SCREW-STAINLESS 10-24 X .375 PPH	1
027	901072-005	WASHER-SPR LK STNLES	1
028	901071-012	WASHER-FLT STNLS	1
029	901089-001	SCREW-STNLSS TAP/FORM 10-24 X 1.00	6
030	900090-004	TAPE-VINYL BLUE 3/4" WIDE	0
033	806506-001	GUARD-PROCESSOR SPLASH	1
034	806822-001	ROD-SUPPORT 19.67	2

Mitsubishi Silver DigiPlater 1800 Parts List

ASSY-ACTIVATOR TRANSPORT



"Leaders in Direct to Plate Technology..."

ASSY-ACTIVATOR TRANSPORT SHEET.2

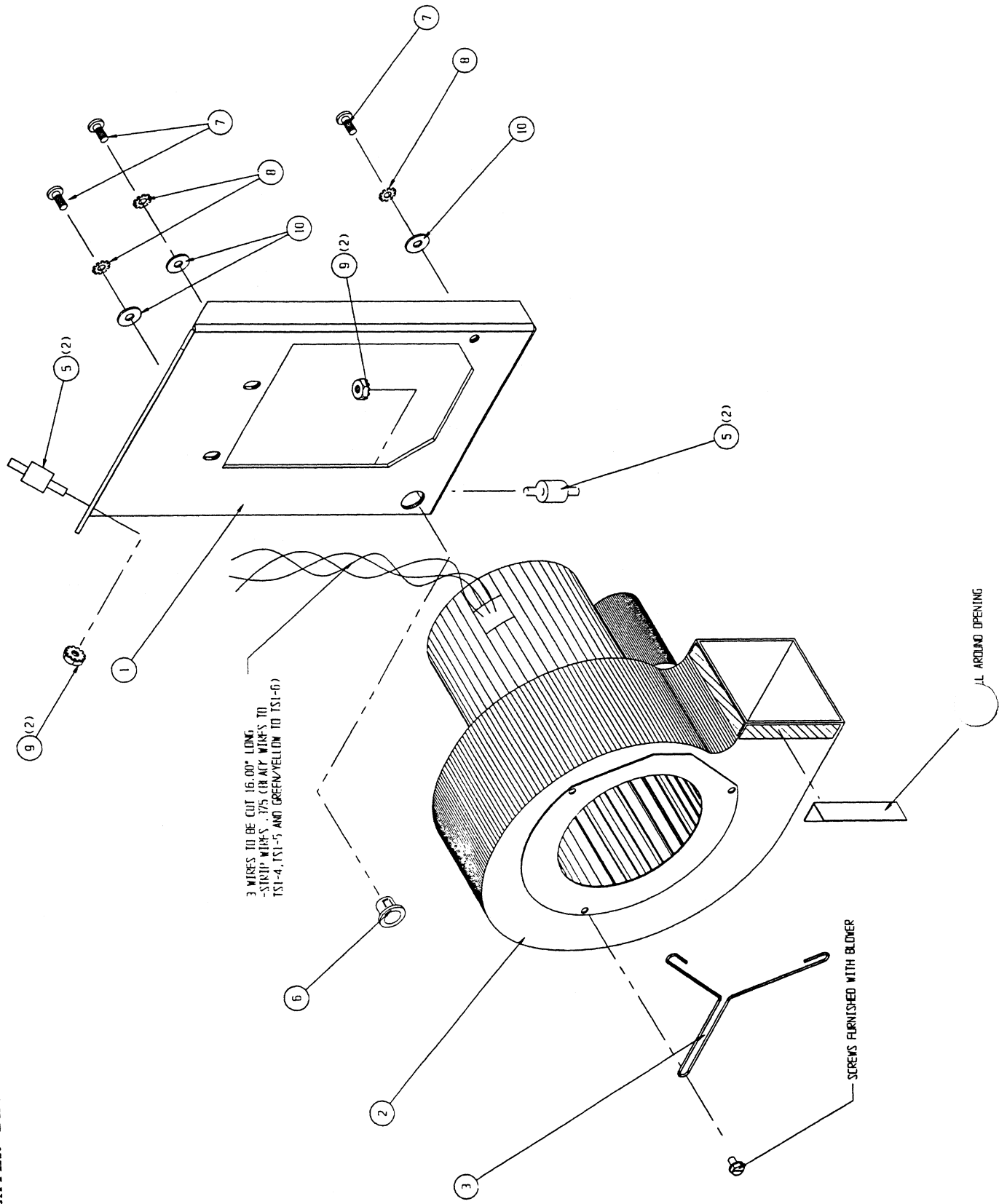
SEQN	COMPONENT	DESCRIPTION	QTY
002	900960-004	BEARING-ROLLER	10
016	900960-043	GUIDE-ACTIVATOR ENTRANCE	2
017	900960-014	SPRING-GUIDE	2
018	900960-026	ROLLER-ENTRANCE	1
019	900291-007	O-RING	23
021	900960-025	ROLLER-TRANSPORT	2
031	900960-024	ROLLER-SQUEEGEE	1
032	806510-001	ROLLER-PROCESSOR ASSIST	2
035	900319-004	BEARING-NON METALLIC FLANGED	2

ASSY-ACTIVATOR TRANSPORT SHEET.3

SEQN	COMPONENT	DESCRIPTION	QTY
002	900960-004	BEARING-ROLLER	2
003	900960-003	GEAR-ASSY GEAR	7
005	900960-001	GEAR-SPUR	3
006	900229-017	E-RING SAE .250 SHAFT	11
008	900960-020	GEAR-SPUR	1
009	900229-018	E-RING SAE .312 SHAFT	1
011	900960-013	SPRING-EXTENSION (.022)	4
012	900960-094	BRKT-DRIVE RACK	1
013	900960-002	GEAR-WORM SINGLE	1
014	900582-007	PIN-DOWEL SST .1250 DIA X .625 LG	1
015	900960-096	SHAFT-DRIVE RACK	1
022	900291-010	O-RING	8
026	900967-003	SCREW-STAINLESS 10-24 X .375 PPH	2
027	901072-005	WASHER-SPR LK STNLES	2
036	900333-000	SET SCREW-NYLON TIP 8-32 UNC X .234	1
037	806819-001	GEAR-MOD	1

ASSY-HEATER BLOWER

Mitsubishi Silver DigiPlater 1800 Parts List



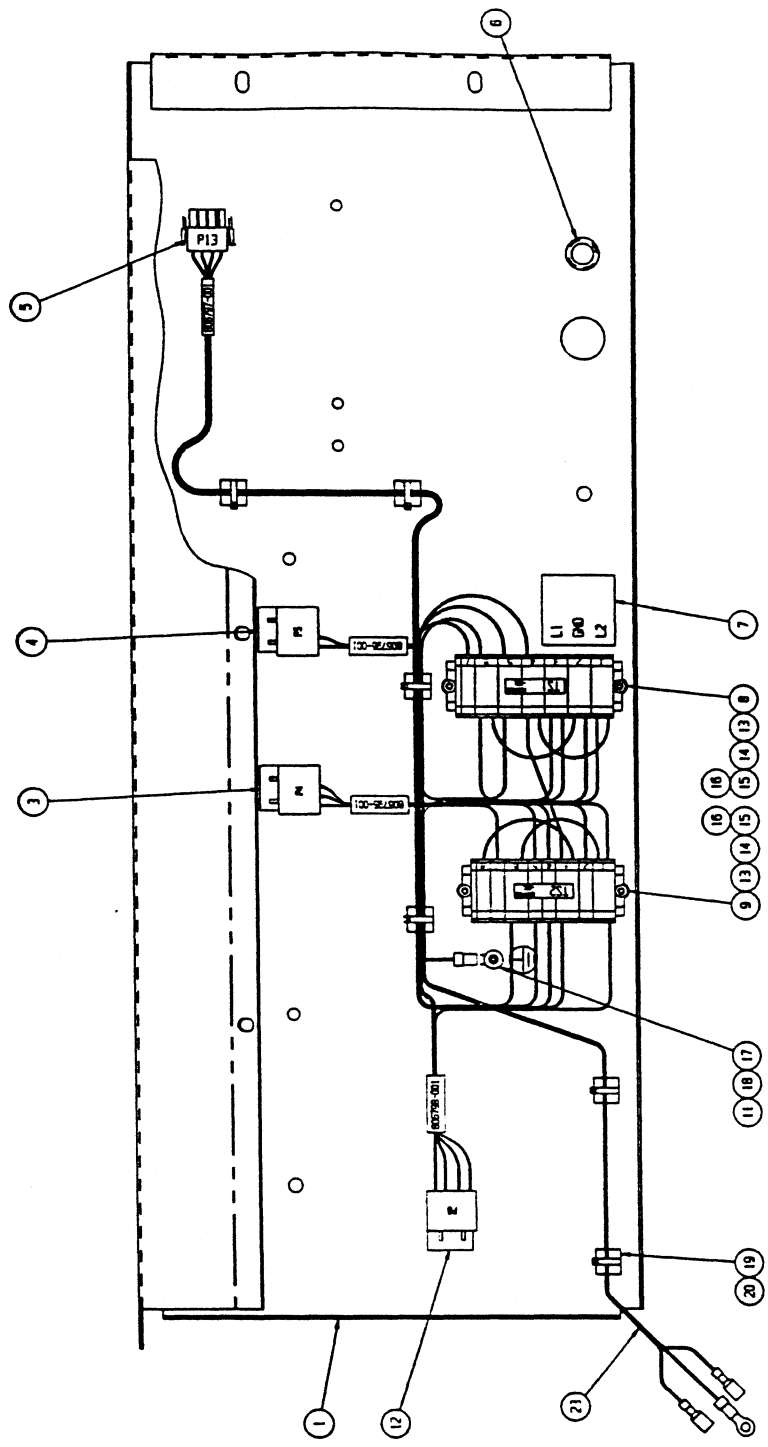
ASSY-HEATER BLOWER

SEQN	COMPONENT	DESCRIPTION	QTY
001	900960-123	BRKT-MOTOR FAN	1
002	901080-001	BLOWER	1
003	900960-124	GUARD-FAN	1
004	900610-002	V-SEAL WHITE	0
005	901075-001	MOUNT-RUBBER	4
006	900289-003	BUSHING-GROMMET	1
007	900967-003	SCREW-STAINLESS 10-24 X .375 PPH	3
008	901076-004	WASHER-EXT STAINLESS #10	3
009	900968-001	NUT-STAINLESS 8-32 KEPS LOCKNUT	4
010	900160-006	WASHER-FLAT STEEL #10	3

Mitsubishi Silver DigiPlater 1800 Parts List

ASSY-ELECTRICAL PANEL

ID	FROM	REFERENCE
IS1-1	PA-1	----
IS1-1	IS1-4	000627-003 (ITEM 27)
IS1-1	GA0-1	000626-001 (ITEM 11)
IS1-2	IS1-8	000627-001 (ITEM 21)
IS1-3	PA-3	----
IS1-3	PA-4	----
IS1-4	IS2-3	000627-004 (ITEM 28)
IS1-4	DRIVE MOTOR	000630-001 (ITEM 23)
IS1-4	BLOWER FAN MOTOR	BLACK
IS1-5	PA-1	----
IS1-5	BLOWER FAN MOTOR	BLACK
IS1-6	IS2-1	000627-002 (ITEM 22)
IS1-6	DRIVE MOTOR	000630-001 (ITEM 23)
IS1-6	BLOWER FAN MOTOR	GREEN/YELLOW
IS1-7	DRIVE MOTOR	000630-001 (ITEM 23)
IS2-1	PA-2	----
IS2-1	IS2-6	000627-001 (ITEM 21)
IS2-2	PA-2	----
IS2-3	IS2-8	000627-003 (ITEM 27)
IS2-3	P13-1	----
IS2-4	P13-2	----
IS2-4	PA-2	----
IS2-5	P13-3	----
IS2-5	PA-3	----
IS2-6	P13-4	----
IS2-7	PA-1	----



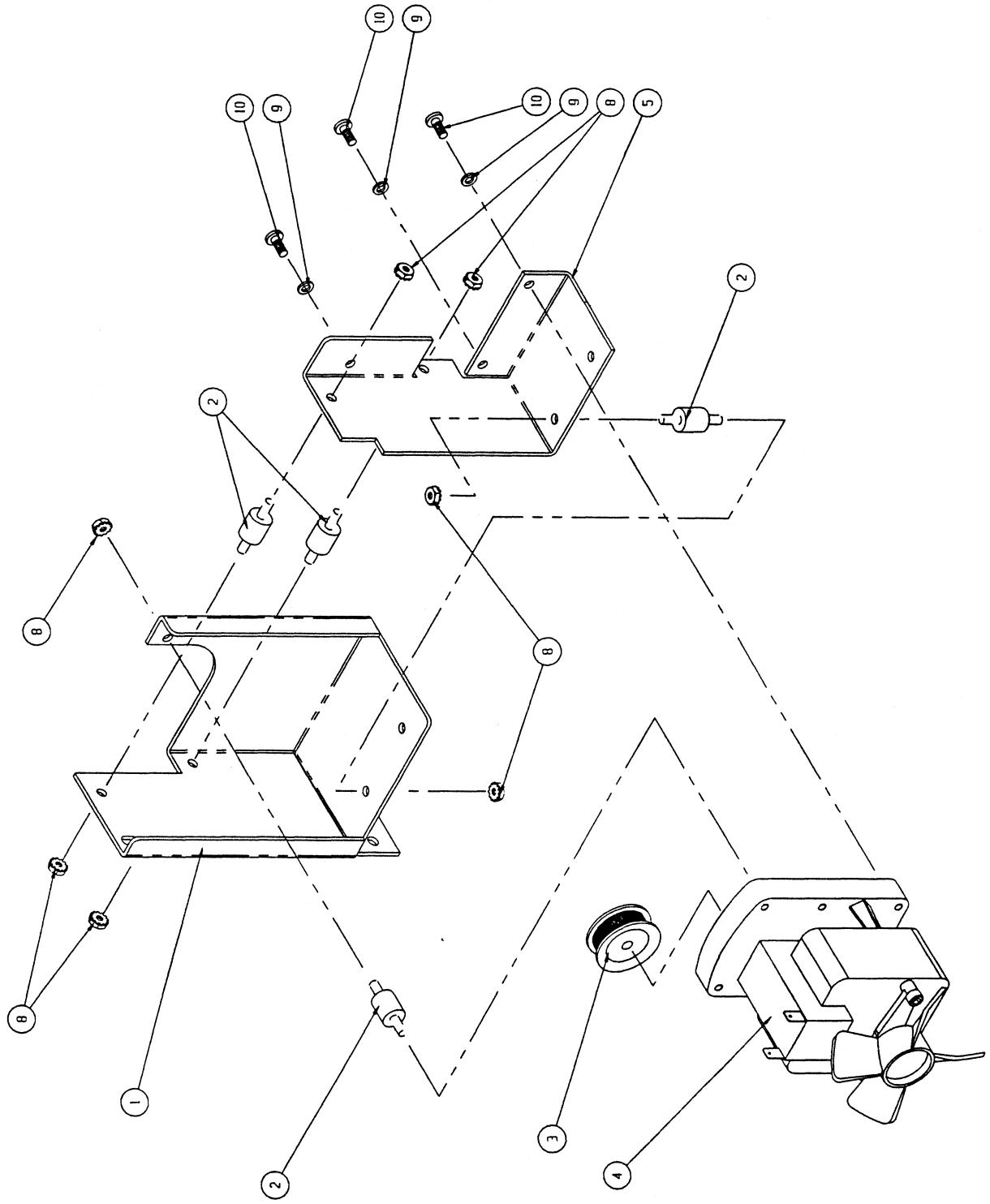
"Leaders in Direct to Plate Technology..."

ASSY-ELECTRICAL PANEL

SEQN	COMPONENT	DESCRIPTION	QTY
001	806736-001	PANEL-ELECTRICAL LOWER	1
002	900040-003	CLIP-CORD ADHESIVE	3
003	900960-061	ASSY-CABLE HEATER CONTROL	1
004	900960-151	ASSY-CABLE MOTOR CONTROL	1
005	900960-063	ASSY-CABLE DRYER HEATER	1
006	900289-003	BUSHING-GROMMET	1
007	900960-153	LABEL-POWER SUPPLY	1
008	900960-154	ASSY-STRIP TS1	1
009	900960-155	ASSY-STRIP TS2	1
011	806826-001	ASSY-CABLE GROUND	1
012	900960-062	ASSY-CABLE POWER CONTROL	1
013	900967-004	SCREW-STAINLESS 4-40 X .375	4
014	900968-003	NUT-STAINLESS 4-40 X HEX LOCKNUT	4
015	901071-003	WASHER-FLT STNLS	4
016	901072-002	WASHER-SPR LK STNLES	4
017	900967-005	SCREW-STAINLESS 8-32 X .500 PPH	1
018	901076-003	WASHER-EXT STAINLESS #8	1
019	900338-002	MOUNT-TIE	8
020	900053-002	TIE-NYLON PLT1.5M-C	8
021	806827-001	ASSY-CABLE JUMPER 3.50	2
022	806827-002	ASSY-CABLE JUMPER 4.50	1
023	806830-001	ASSY-CABLE PROCESSOR MOTOR	1
027	806827-003	ASSY-CABLE JUMPER 3.50	2
028	806827-004	ASSY-CABLE JUMPER 3.75	1

ASSY-DRIVER MOTOR

Mitsubishi Silver DigiPlater 1800 Parts List



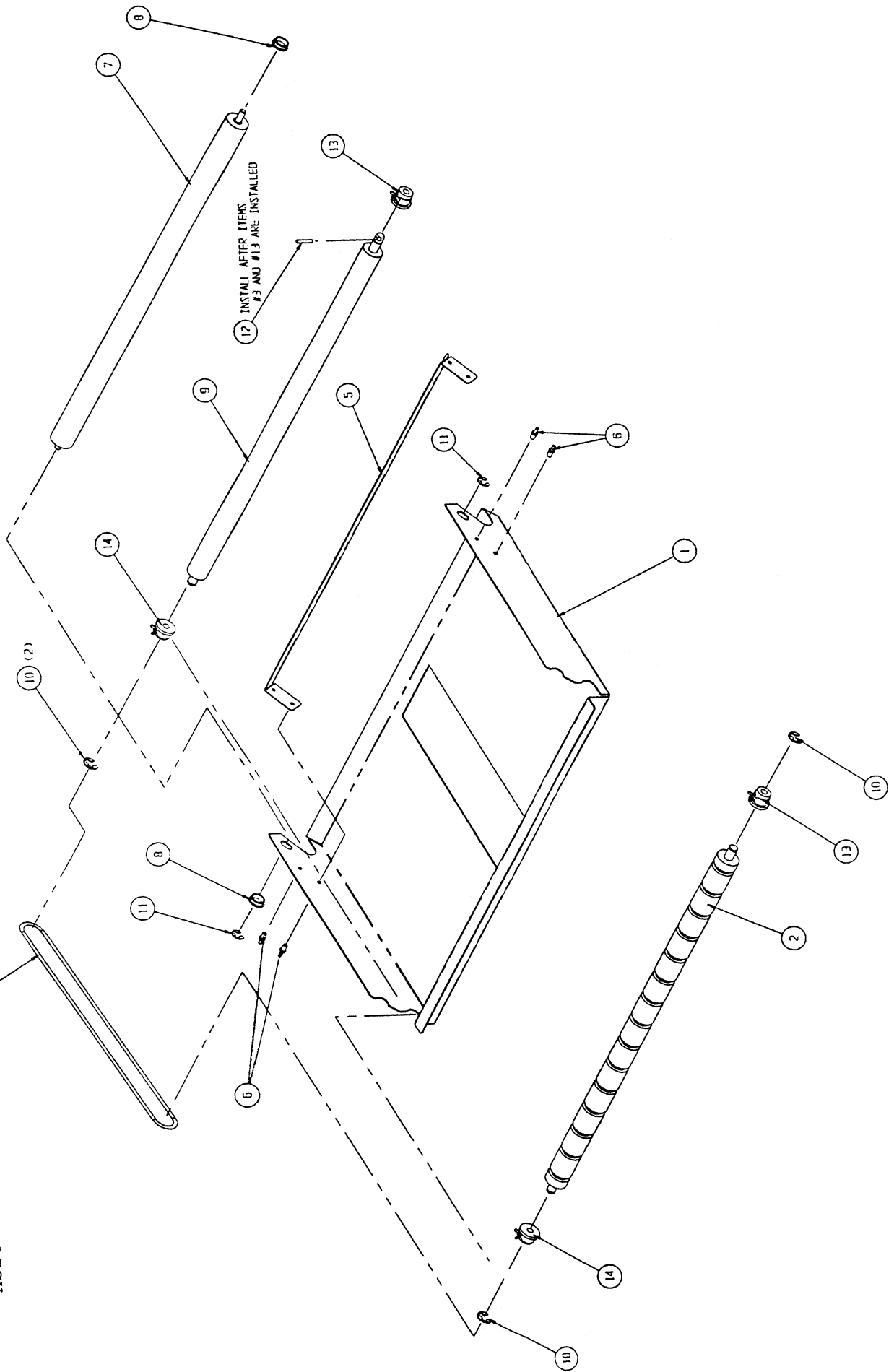
ASSY-DRIVER MOTOR

SEQN	COMPONENT	DESCRIPTION	QTY
001	900960-132	BRKT-SUPPORT MOTOR	1
002	901075-001	MOUNT-RUBBER	4
003	900268-004	PULLEY-TIMING BELT 1/5 PITCH	1
004	600326-001	MOTOR-DRIVE	1
005	900960-134	BRKT-MTG MOTOR	1
008	900968-001	NUT-STAINLESS 8-32 KEPS LOCKNUT	7
009	901072-004	WASHER-SPR LK STNLES #8 .055X.040	3
010	900967-001	SCREW-STAINLESS 8-32 X .375 PPH	3

Mitsubishi Silver DigiPlater 1800 Parts List

ASSY-DRYER TRANSPORT

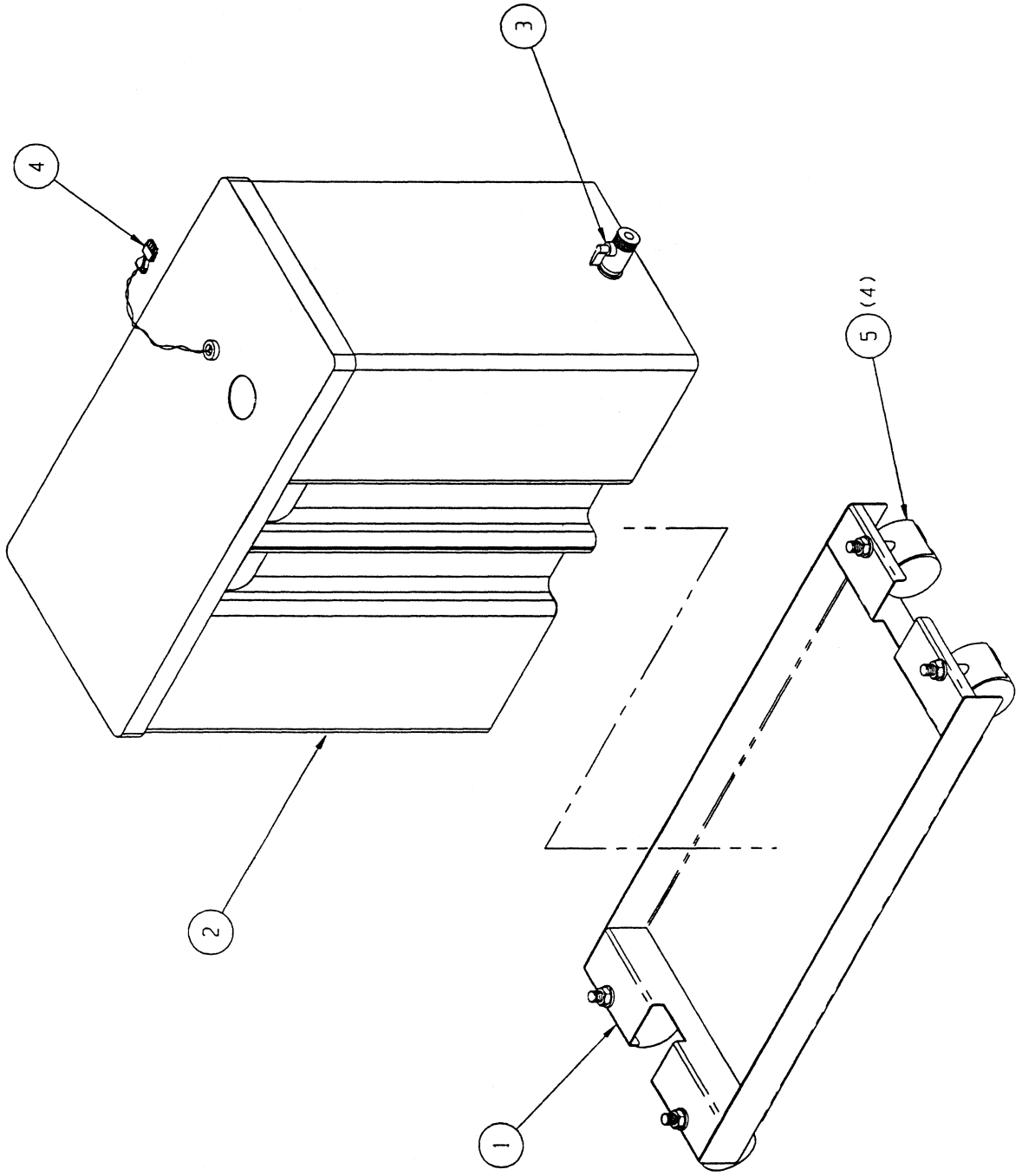
4 15 PLACES



ASSY-DRYER TRANSPORT

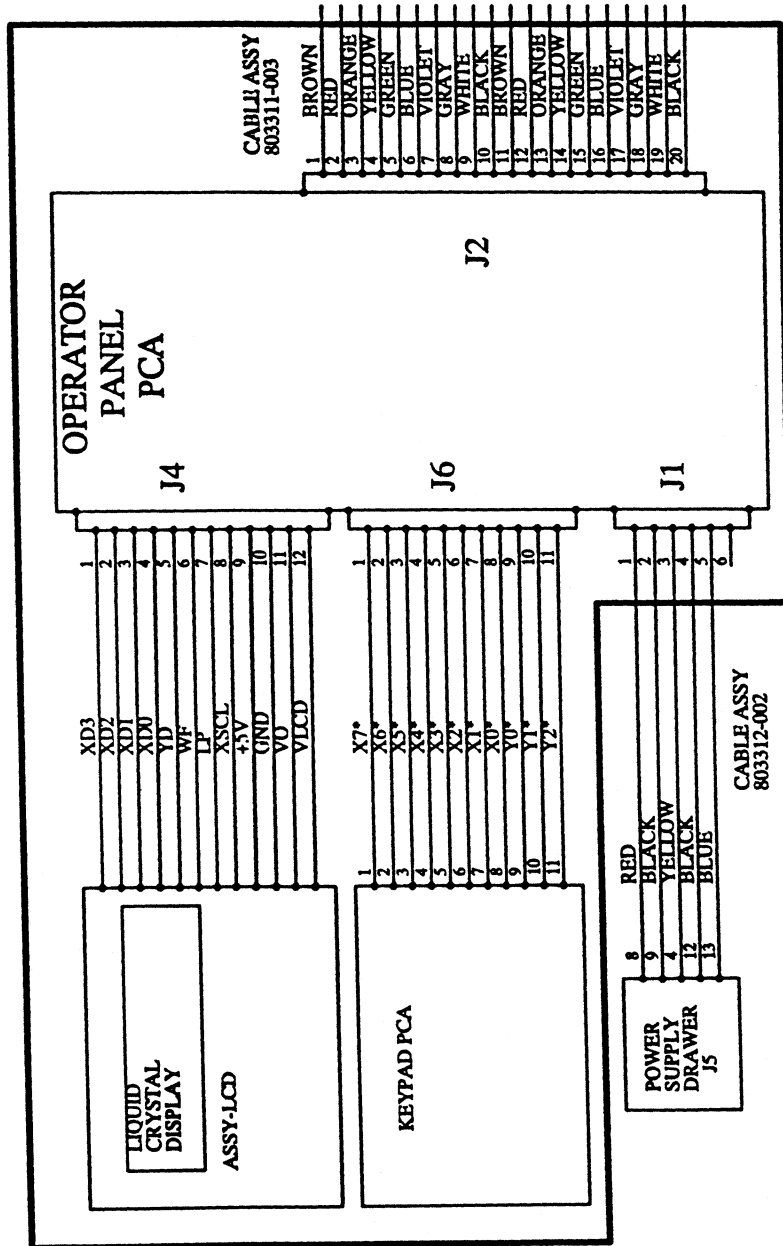
SEQN	COMPONENT	DESCRIPTION	QTY
001	900960-075	PANEL-RACK	1
002	900960-055	ROLLER-DRYER LOWER	1
004	901077-001	BELT-ENDLESS ROUND	15
005	900960-042	GUIDE-EXIT DRYER	1
006	901093-001	RIVET-PLASTIC	4
007	900960-056	ROLLER-EXIT UPPER	1
008	900230-002	BEARING, NYLON SNAP-IN, .250 SHFT	2
009	900960-054	ROLLER-DRYER UPPER	1
010	900229-019	E-RING SAE .375 SHAFT	4
011	900229-017	E-RING SAE .250 SHAFT	2
012	901079-001	PIN-SPIRAL	1
013	900960-006	ASSY-FLANGED BEARING	2
014	900960-006	ASSY-FLANGED BEARING	2

ASSY-EFFLUENT TANK & CART



ASSY-TANK EFFLUENT W/CART

SEQN	COMPONENT	DESCRIPTION	QTY
001	806811-001	ASSY-CART EFFLUENT	1
002	806816-001	ASSY-TANK EFFLUENT	1
003	806718-001	ASSY-DRAIN VALVE	1
004	806815-001	ASSY-PROBE EFF.	1
005	900832-002	CASTER-TWIN WHEEL	4



TO:
CONTROLLER
PCA

OPERATOR PANEL ASSY
806005-001

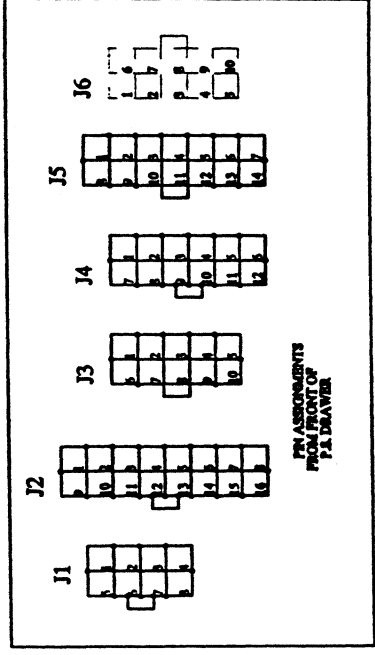
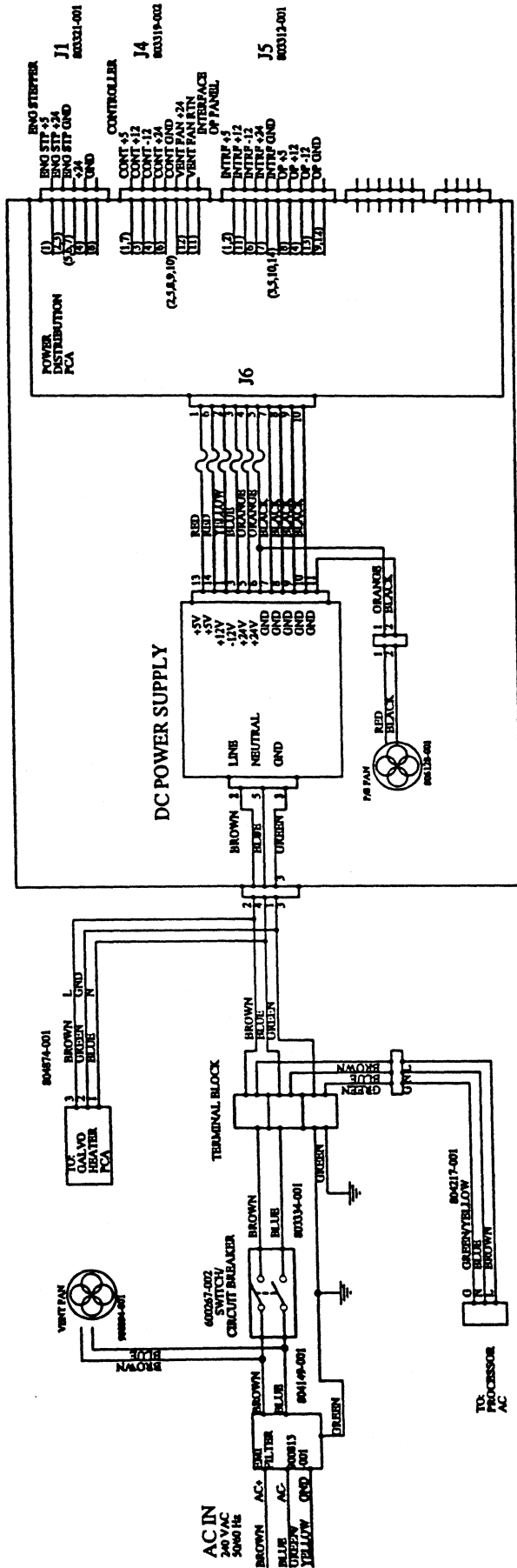
OPERATOR PANEL WIRING

SEQN	COMPONENT	DESCRIPTION	QTY
001	803312-002	ASSY-CABLE PWR OP INT	1
002	803311-003	ASSY-CABLE INT CON OP	1

MARKER WIRING

SEQN	COMPONENT	DESCRIPTION	QTY
001	803311-003	ASSY-CABLE INT/CON/OP	1
002	803319-002	ASSY-CABLE PWR 4 CON 6 FN	1
003	803314-001	ASSY-CABLE CON/RIP	1
004	522980-001	PCA-CONTROLLER XTL IMAGER	1
005	523040-001	PCA-VELOCITY CONTROL	1

803217-006
POWER SUPPLY DRAWER ASSY



AC POWER

WIRE COLOR	VOLTAGE
BROWN	AC
BLUE	AC
GREEN	GROUND

DC POWER

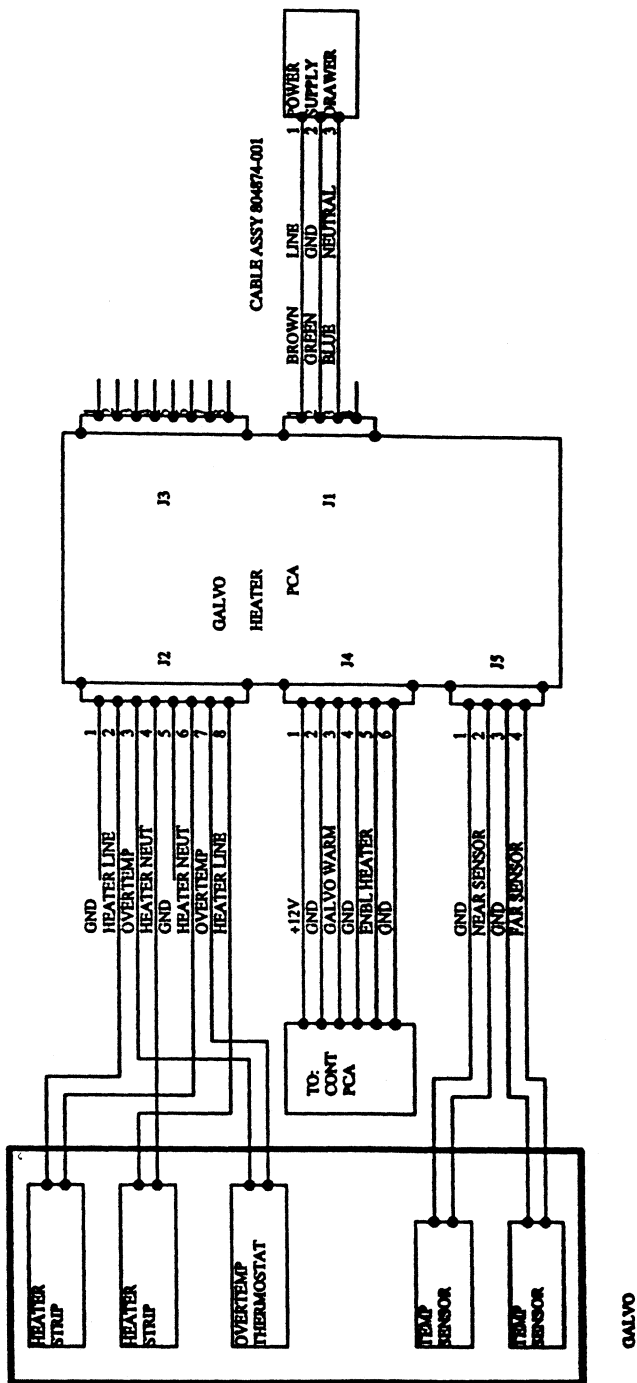
WIRE COLOR	VOLTAGE
RED	+5V
YELLOW	+12V
BLUE	-12V
ORANGE	+24V
WHITE	INTERNAL
BLACK	CHASSIS GND
GREEN	CHASSIS GND

POWER SUPPLY DRAWER WIRING

SEQN	COMPONENT	DESCRIPTION	QTY
001	804874-001	ASSY-CABLE HEATER AC IN	1
002	804149-001	ASSY-CABLE FIL/BRK	1
003	900813-001	FILTER-RFI K SERIES	1
004	803334-001	ASSY-CABLE BRK/BLK	1
005	804217-001	ASSY-CABLE BLK/PROC	1
006	803321-001	ASSY-CABLE ENG/STEPPER	1
007	803319-002	ASSY-CABLE PWR 4 CON 6 FN	1
008	803312-001	ASSY-CABLE PWR OP/INT	1
009	600267-002	CIRCUIT BREAKER-DBL POLE	1
010	806128-001	ASSY-FAN AXIAL COOLING	1

ENGINE STEPPER WIRING

SEQN	COMPONENT	DESCRIPTION	QTY
001	803321-001	ASSY- CABLE ENG 5 PWR1 FAN	1
002	803318-001	ASSY-CABLE SCSI/ENG	1
003	803323-001	ASSY-CABLE ENG/STEPPER	3
004	806366-001	ASSY-CABLE CUTTER/STEPPER	1
005	806247-001	ASSY-SDP CUTTER	1
006	806098-002	ASSY-MOTOR TAKEUP DRIVE	2
007	804628-001	ASSY-MOTOR STEPPING	1



GALVO HEATER WIRING

SEQN	COMPONENT	DESCRIPTION	QTY
001	804874-001	ASSY-CABLE HEATER AC IN	1

INTERFACE PCA WIRING

SEQN	COMPONENT	DESCRIPTION	QTY
001	803312-001	ASSY-CABLE PWR OP/INT	1
002	803328-002	ASSY-CABLE INTRF/SOLENOIDS	1
003	804140-001	ASSY-CABLE INTRF/SENSORS	1
004	803318-001	ASSY-CABLE SCSI/ENG	1
005	803311-003	ASSY-CABLE INT/CON/OP	1
006	806223-001	ASSY-SOLENOID	1
007	806099-002	ASSY-SOLENOID CAPSTAN GUIDE	1
008	806639-001	ASSY-SWITCH	1
009	806639-003	ASSY-SWITCH	1
010	806639-004	ASSY-SWITCH	1
011	806639-002	ASSY-SWITCH	1
012	806639-005	ASSY-SWITCH	1
013	600227-001	SWITCH-PUSH BUTTON SPST	1
014	806306-001	ASSY-CABLE MARKER FAN	1
015	806376-001	ASSY-CABLE PROC I/O	1